

ETEK

www.etek-electric.com ▼

SOLAR PV SYSTEM

Always for your safety



ZHEJIANG ETEK
ELECTRICAL TECHNOLOGY CO.,LTD.

Always for your safety



RoHS

COMPANY INTRODUCTION

Zhejiang ETEK Electrical Technology Co., Ltd. (Abbreviation: ETEK Electric) is a professional manufacturing company dedicated to the research, development, production, and sales of low-voltage electrical appliances. The company was established in 2011 and is located in Wenzhou City, Zhejiang Province. At present, the company has 40K sqm of modern manufacturing bases in Wenzhou and Wuhu with over 500 employees, including over 50 R&D and technical personnel. ETEK Electric has multiple production workshops for mold design, parts manufacturing, welding, and assembly. Additionally, they have multiple automated production lines for MCB and RCCB. Our products include MCB, RCCB, RCBO, AFDD, MCCB, ACB, EV Chargers, Photovoltaic DC products, etc., which can meet the needs of different countries and are widely used in fields such as residential, commercial, and industrial.

ETEK Electric has passed ISO9001 quality management system and environmental management system certification. The company have built our own low-voltage electrical testing center, and most of the testing items can meet the requirements of international IEC standards, in addition, our products have obtained international CB, TUV, VDE, CE, RoHS and other quality certificates.

ETEK Electric constantly masters and breaks through the core technology of circuit breakers, with more than 100 national patents. Focusing on independent brand construction is crucial for the company's development. The "ETEK" trademark is registered in over 80 countries. Products are exported to over 60 countries and regions including the European Union, South America, the Middle East, Africa, and Southeast Asia.

We also support OEM, ODM, OBM, SKD, CKD and other business cooperation models, and provide customers with a full range of services covering market cultivation, technical training, and factory construction.

ETEK Electric has been adhering to the business policy of "Growth", "Quality", "Efficiency", and "Innovation". In 2023, ETEK Electric has formulated the fifth 3-year strategic plan, which specifies the three major initiatives of expanding the production scale, enhancing the new energy market share, and expanding the independent brand, to realize the annual revenue target of \$50 million by 2026.

Looking forward to the future, ETEK Electric will be committed to becoming a globally renowned manufacturer in the power distribution and electrical industry, safeguarding the power safety of global customers, and helping the development of green and digital energy.



Wenzhou Factory

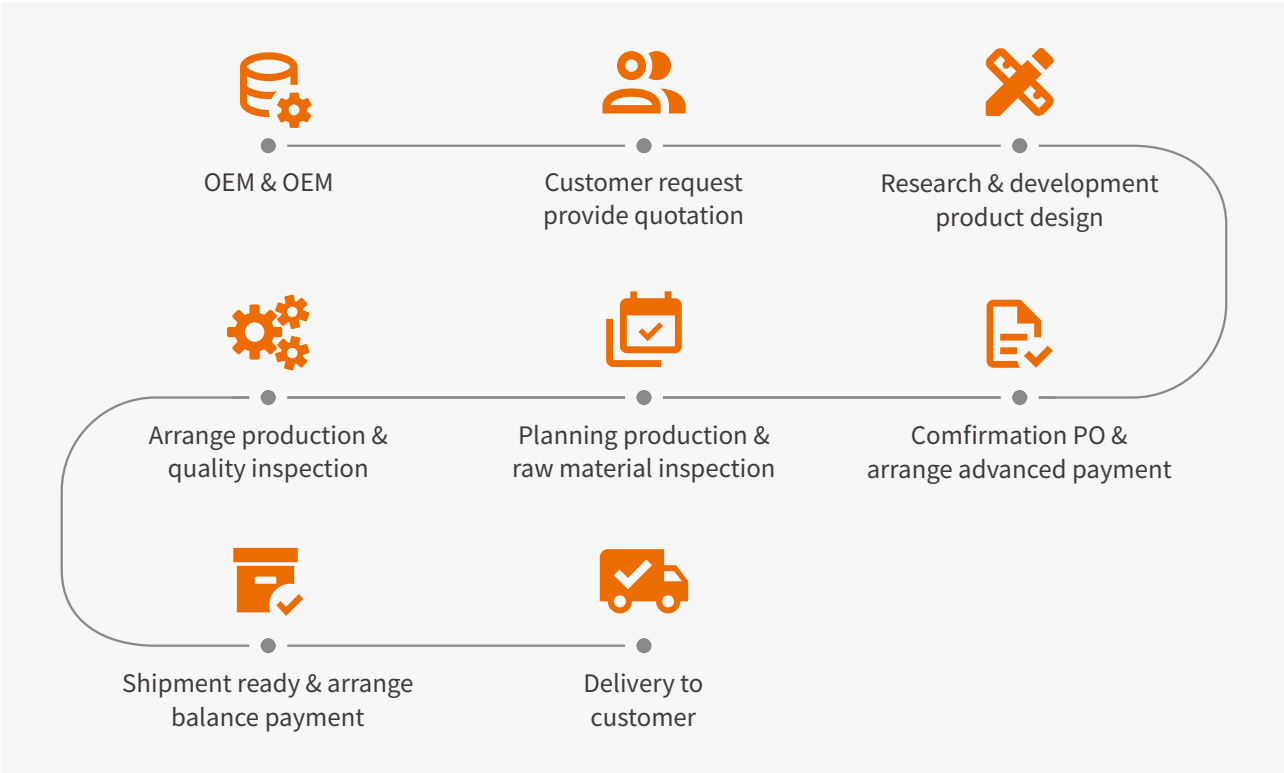


Wuhu Factory

WORKSHOPS



OEM & ODM BUSINESS



CONTENTS

EKM1-63DC 6KA DC MCB	01
EKM1-125DC 10KA DC MCB	02
EKM6 DC MCCB High Voltage Molded Case Circuit Breaker	03
EKU5-T2-40PV SPD Type T2	06
EKU5-T1+T2-40PV SPD Type T1+T2	08
Fuse for PV System	10
EKD6-DB32 DC Isolator Switch	13
EKD6-EL32R Enclosed DC Isolator Switch	15
EKD19 DC Disconnect Switch	18
AC-PG Waterproof Cable Gland	19
Solar DC Connector Series	20
HA Series Waterproof Distribution Box	28
EKDB10 Waterproof Distribution Box	29
EKDBS-PV Solar DC Combiner Box	30
EKDBT-PV(Z) Solar DC Combiner Box	43

DC MCB EKM1-63DC



Mini Circuit Breaker

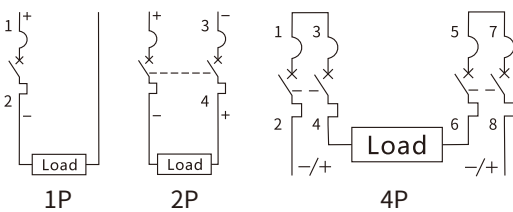
Standard_IEC60947-2



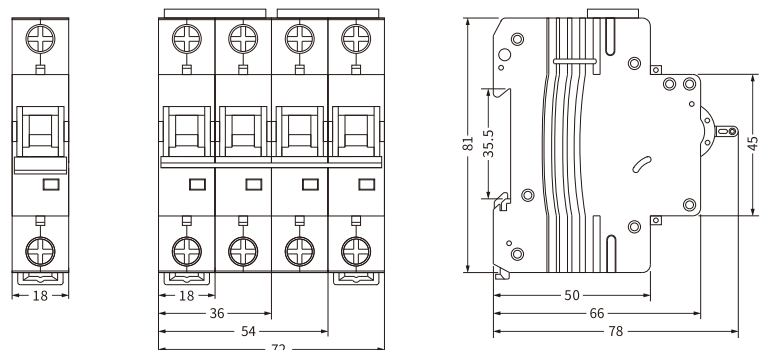
Technical Data

Standard	IEC/EN60947-2
Protection	Overcurrent and short circuit
Type of trip	Thermo-magnetic
No.of poles	1P,2P,4P
Rated currents I_n	1,2,3,4,5,6,10,16,20,25,32,40,50,63A
Rated voltage U_e	1P(250VDC),2P(500VDC),4P(1000VDC)
Rated breaking capacity	6,000A
Rated impulse withstand voltage(1.5/50) U_{imp}	4,000V
Dielectric test voltage at Ind. Freq.for 1 min	3kV
Thermal release characteristic	$(1.05-1.30) \times I_n$
Magnetic release characteristic	$(8-12) \times I_n$
Electrical life	4,000 Cycles
Mechanical life	10,000 Cycles
Contact position indicator	Yes
Protection degree	IP20
Ambient temperature	-5°C to +40°C, Max.95% humidity
Terminal connection type	Cable/Pin-type busbar/Fork-type busbar
Max.terminal size for cable	25mm ²
Max.tightening torque	2.5N.m
Installation	Mounting on 35mm DIN rail
Connection	According to the wiring diagram

Circuit Diagram



Overall and Installation Dimension(mm)



DC MCB EKM1-125DC



Mini Circuit Breaker

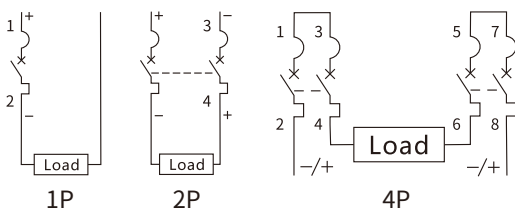
Standard_IEC60947-2



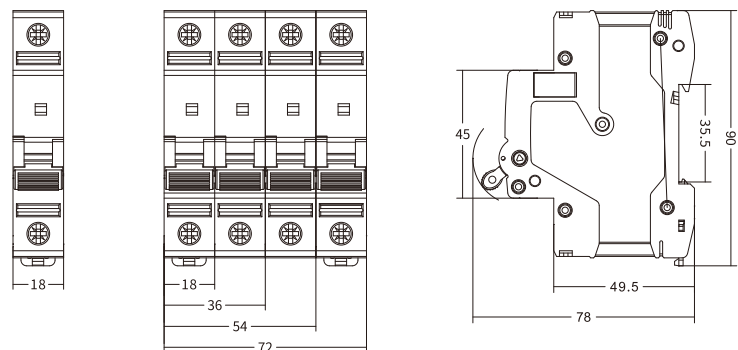
Technical Data

Standard	IEC/EN60947-2
Protection	Overcurrent and short circuit
Type of trip	Thermo-magnetic
No. of poles	1P,2P,4P
Rated currents I_n	80,100,125A
Rated voltage U_e	1P(250VDC),2P(500VDC),4P(1000VDC)
Rated breaking capacity	10,000A
Rated impulse withstand voltage(1.5/50) U_{imp}	4,000V
Dielectric test voltage at Ind. Freq.for 1 min	3kV
Thermal release characteristic	$(1.05-1.30) \times I_n$
Magnetic release characteristic	$(8-12) \times I_n$
Electrical life	4,000 Cycles
Mechanical life	10,000 Cycles
Contact position indicator	Yes
Protection degree	IP20
Ambient temperature	-5°C to +40°C, Max.95% humidity
Terminal connection type	Cable/Pin-type busbar/Fork-type busbar
Max.terminal size for cable	35mm ²
Max.tightening torque	2.5N.m
Installation	Mounting on 35mm DIN rail
Connection	According to the wiring diagram

Circuit Diagram



Overall and Installation Dimension(mm)



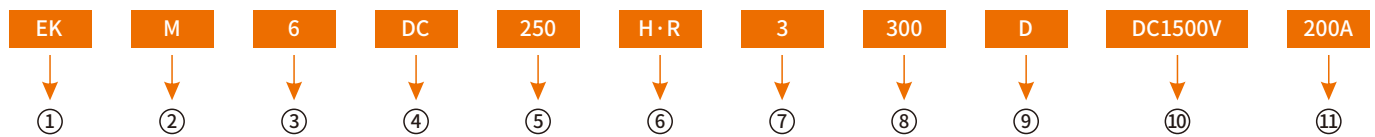
Function Introduction

Through many years of dedicated research on the actual system operation situation and customer needs of new energy at home and abroad, ETEK Electric has developed the EKM6 DC series DC Molded Circuit Breaker for New Energy.

Product Characteristic

- EKM6 DC series Molded Circuit Breaker, The maximum rated voltage is DC 1500V, and the maximum current is 800A.
- EKM6 DC series Molded Circuit Breaker, in the voltage of DC 1500V, the maximum breaking capacity is 50kA, which can ensure reliable short-circuit protection of the system.

Model Preparation Meaning



Code name	Meaning
①	ETEK
②	Molded Case
③	Design No.
④	DC-DC
⑤	Shell frame gradecurrent 250, 320, 400, 630, 800
⑥	Rated short-circuit breaking capacity rating H: high speed breaker R: current limiting type

Code name	Meaning
⑦	Phase No.
⑧	Stripper mode and attachment code (see Table)
⑨	External accessories D: Auto operation Z: Manual operation
⑩	Rated voltage DC250V, DC500V, DC750V, DC1000V, DC1250V, DC1500V
⑪	Rated current: 63~800A

Standard


EKM6 DC series DC molded case circuit breaker meet the following standards
IEC 60947-1 General Provisions
IEC 60947-2 Circuit Breaker

Applied Environment

1. The altitude is not higher than 5500m;
2. It is resistant to damp air (three-proof type)^①
3. It is resistant to the influence of salt fog and oil fog (three-proof type);
4. It is resistant to the influence of mold (three-proof type);
5. In a medium without explosion risk, and the medium is not enough to corrode the metal and destroy the insulation of the gas and conductive dust.

Note: The three-prevention products should be specially customized, please indicate TH.

Main Technical Parameter

Appearance								
Model		EKM6DC-250, EKM6DC-320			EKM6DC-400			
Rated current of shell frame grade Inm(A)		250, 320			400			
Rated current In(A)		63, 80, 100, 125, 140, 160, 180, 200, 225, 250, 280, 315, 320			225, 250, 315, 350, 400			
Pole Number		2		3	2		3	
Rated working voltage Ue (V)DC		500	1000	1500	250/500	750/1000	1250/1500	1250/1500
Rated insulation voltage Ui (V)		1250		1500	1500			
Rated impulse withstand voltage Uimp (kV)		8		12	12			
Extreme short-circuit breaking capacity Icu (kA)	H Type	50	20	20	70	40	20	20 ^① , 40 ^②
	R Type	/	/	/	85	60	40	40 ^① , 50 ^②
Running short-circuit breaking capacity Ics (kA)		Ics=100%Icu						
Wiring mode		Up incoming and Down outcoming, Down incoming and Up outcoming (2P, 320/3P) Down incoming and Down outcoming, Up incoming and Up outcoming (3P)						
Mechanical life (Total times)		20000			10000			
Electrical life (Total times)		3000	2000	1500	1000	1000	700	500
Insulation feature		Yes						
Standard		IEC 60947-2, GB/T 14048.2						
Allowable ambient temperature		-40°C~+70°C						
Levels of protection		IP20						
Quality certificate		CB, TUV certificate						
With accessories		Auxiliary, alarm, off load, Hand operation, Electric operation						
Arcing distance (mm)		50 (Zero arc, with arcing cover)						
Transient Action value		10In						
Overall dimensions LxWxH(mm)	L	180		180	250		250	
	W	76		107	124		182	
	H	126		126	165		165	

Note: ① 2P connection in series

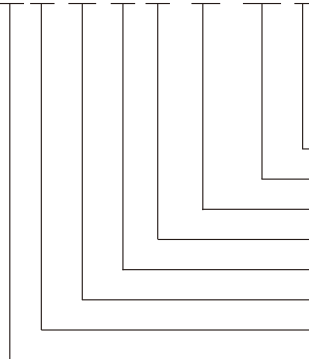
② 3P connection in series

Appearance									
Model		EKM6DC-630				EKM6DC-800			
Rated current of shell frame grade Inm(A)		630				800			
Rated current In(A)		500, 630				700, 800			
Pole Number		2		3		2		3	
Rated working voltage Ue (V)DC		250/500	750/1000	1250/1500	1250/1500	250/500	750/1000	1250/1500	1250/1500
Rated insulation voltage Ui (V)		1500				1500			
Rated impulse withstand voltage Uimp (kV)		12				12			
Extreme short-circuit breaking capacity Icu (kA)	H Type	70	40	20	20 ^① , 40 ^②	70	40	20	20 ^① , 40 ^②
	R Type	85	60	40	40 ^① , 50 ^②	85	60	40	40 ^① , 50 ^②
Running short-circuit breaking capacity Ics (kA)		Ics=100%Icu							
Wiring mode		Up incoming and Down outcoming, Down incoming and Up outcoming (2P, 320/3P) Down incoming and Down outcoming, Up incoming and Up outcoming (3P)							
Mechanical life (Total times)		5000							
Electrical life (Total times)		1000	1000	700	500	1000	1000	700	500
Insulation feature		Yes							
Standard		IEC 60947-2, GB/T 14048.2							
Allowable ambient temperature		-40°C~+70°C							
Levels of protection		IP20							
Quality certificate		CB, TUV certificate							
With accessories		Auxiliary, alarm, off load, Hand operation, Electric operation							
Arcing distance (mm)		50 (Zero arc, with arcing cover)							
Transient Action value		10In							
Overall dimensions LxWxH(mm)	L	250		250		250		250	
	W	124		182		124		182	
	H	165		165		165		165	

Note: ① 2P connection in series
② 3P connection in series

Product Selection Guide

EK U5 - T2 - 40 PV - 2M - 600 S



- With Remote Signaling
- Uc: 600: DC600V, 1000: DC1000V, 1500: DC1500V
- No. of Module: 2:2Module, 3:3Module
- Solar PV System
- I.max: 40kA
- Classification T2
- SPD serie No.5
- Company Code



EKU5-T2-40PV
2P(600VDC)



EKU5-T2-40PV
2P(1000VDC)

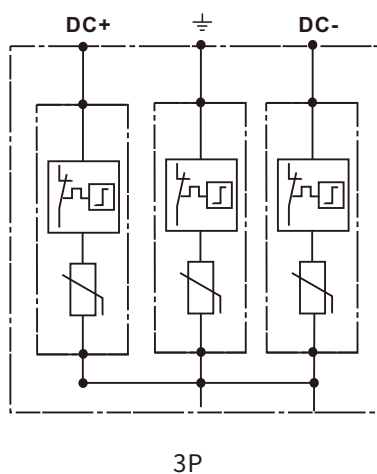
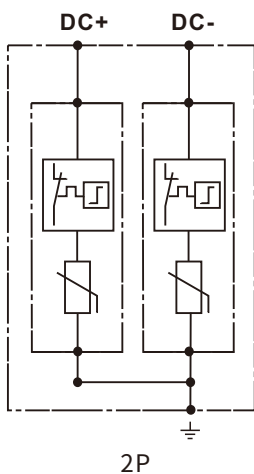


EKU5-T2-40PV
3P(1000VDC)



EKU5-T2-40PV
3P(1500VDC)

Basic circuit diagram



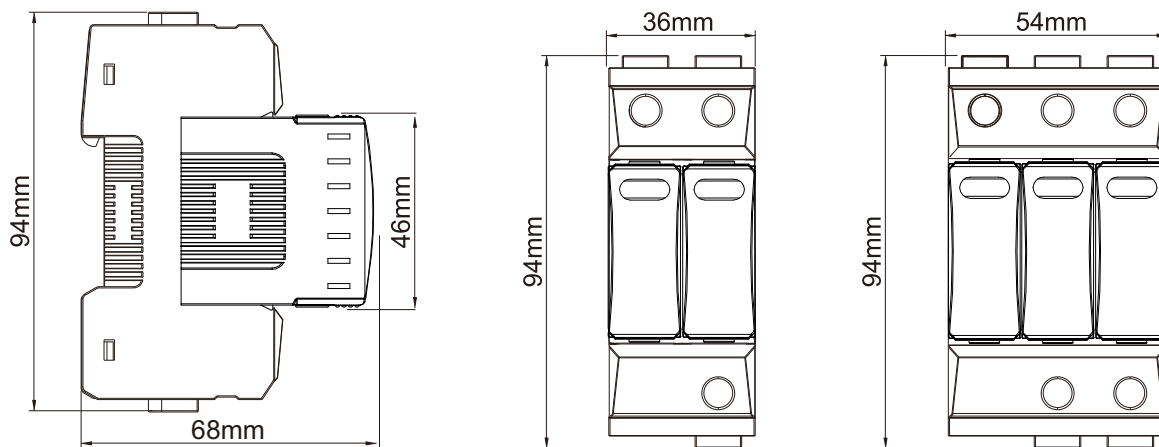
SPD Type Reference List

No. of Poles	Max. Continuous Operating DC Voltage		
	600VDC	1000VDC	1500VDC
2Module	EKU5-T2-40PV-2M600	EKU5-T2-40PV-2M1000	-
3Module	-	EKU5-T2-40PV-3M1000	EKU5-T2-40PV-3M1500
With Remote Signaling			
2Module	EKU5-T2-40PV-2M600S	EKU5-T2-40PV-2M1000S	-
3Module	-	EKU5-T2-40PV-3M1000S	EKU5-T2-40PV-3M1500S

Technical Data

SPD classification according to IEC/EN61643-31		T2	T2	T2
Max. continuous operating a.c.voltage	Ucpv	600VDC	1000VDC	1500VDC
Norminal discharge current (8/20μs)	In	20kA	20kA	20kA
Maximum discharge current (8/20μs)	I _{max}	40kA	40kA	40kA
Voltage protection level DC+/DV-to PE	Up	2Mods	≤2.6kV	≤4.0kV
		3Mods	-	≤4.0kV
Response time	tA	≤25ns	≤25ns	≤25ns
Operating temperature range	Tu		-40°C~80°C	
Operating State/Fault Indication			Green/Red	
Cross-section area (Min.)			4mm ²	
Cross-section area (Max.)			35mm ²	
For mounting on			35mm Din rail	
Enclosure material			Thermal Plastic UL94-V0	
Degree of Protection			IP20	
No. of Moudles			2P(2Mods),3P(3Mods)	

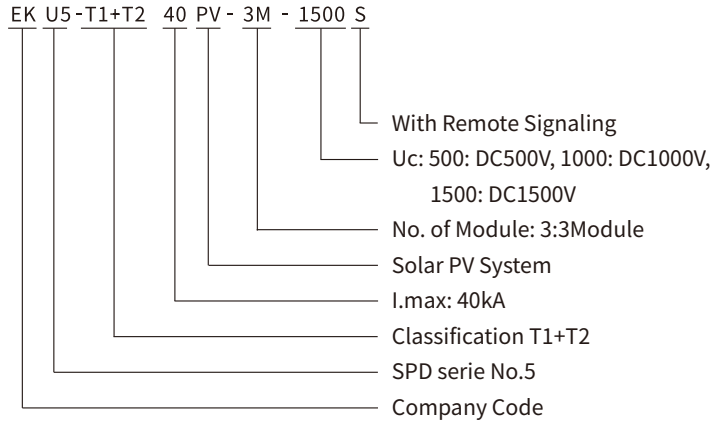
Overall and Installation Dimension(mm)





EKU5-T1+T2-40PV
3P(1500VDC)

Product Selection Guide



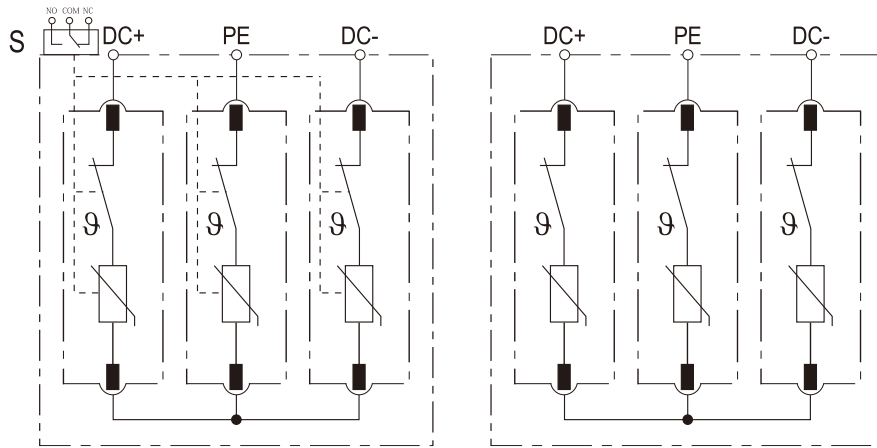
Technical Data

SPD classification according to IEC/EN61643-31			T1+T2	
Max. continuous operating a.c.voltage	Ucpv	500VDC	1000VDC	1500VDC
Impulse Discharge Current (10/350 μs)	Iimp		6.25kA	
Total Discharge Current (10/350 μs)	ITotal		12.5kA	
Norminal discharge current (8/20μs)	In		20kA	
Maximum discharge current (8/20μs)	Imax		40kA	
Voltage protection level DC+/DV-to PE	Up	2000V	4000V	5200V
Response time	tA		≤25ns	
Operating temperature range	Tu		-40°C~80°C	
Operating State/Fault Indication			Green/Red	
Cross-section area (Min.)			4mm ²	
Cross-section area (Max.)			35mm ²	
For mounting on			35mm Din rail	
Enclosure material			Thermal Plastic UL94-V0	
Degree of Protection			IP20	
No. of Moudles			3P(3Mods)	

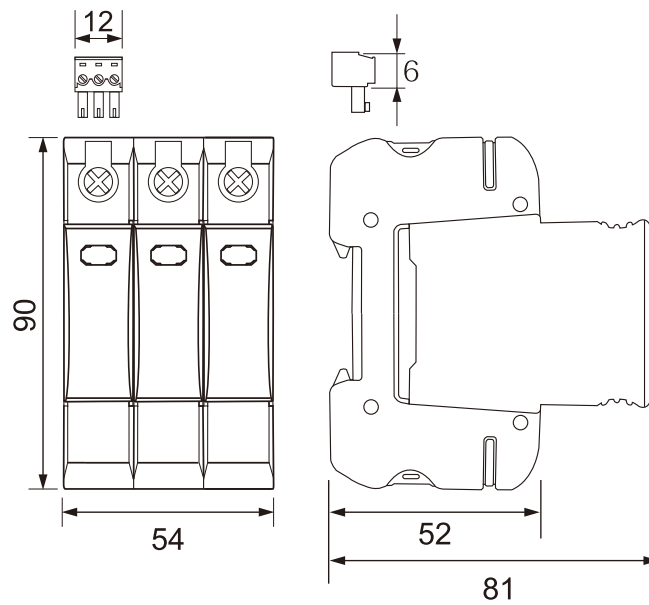
SPD Type Reference List

No. of Poles	Max. Continuous Operating DC Voltage		
	500VDC	1000VDC	1500VDC
3Module	EKU5-T1+T2-40PV-3M500	EKU5-T1+T2-40PV-3M1000	EKU5-T1+T2-40PV-3M1500
With Remote Signaling			
3Module	EKU5-T1+T2-40PV-3M500S	EKU5-T1+T2-40PV-3M1000S	EKU5-T1+T2-40PV-3M1500S

Basic circuit diagram



Overall and Installation Dimension(mm)



Technical Data

Model						
	EKF1-10PV-10 EKF1-10XPV-10		EKF1-10PVH-10 EKF1-10XPVH-10		EKF1-15PV-10L	EKF1-15PV-14L
Rated Voltage	1000VDC				1500VDC	
Rated Current	32A				32A	50A
Size of Fuse Link	10x38mm				10x85mm	14x85mm
Class of Operation	gPV				gPV	
Mechanical Life	500				500	
Product Width	18mm				22mm	
Tightening Torque	2.5Nm 14In-lbs				2.5Nm 14In-lbs	
Terminal size for Cable	6mm ² 8-18AWG				10mm ² 6-18AWG	
Ambient temperature (with daily average ≤ 35°C)	-5°C ~ +40°C					
Storage Temperature	-25°C ~ +70°C					
Standard:	IEC60269-6					
Mounting	On DIN rail EN60715(35mm) by means of fast clip device					

Product Selection Guide

EKF1-10(X)PV-10	
EK	Company Code
F	Fuse Base
1	Design No.
10	DC Voltage Grade (10: 1000VDC, 15: 1500VDC)
X	Blank: Without Lamp, X : With Lamp
PV	For Solar DC system, PV: General type, PVH: High enclosure type (for EKF1-10PVH-10 new type only)
10	Fitting to Size of Fuse link (10: for 10x38mm 1000V, 10L: for 10x85mm 1500V, 14L: for 14x85mm 1500V)

Reference No.	DC Voltage Grade	Size of Fuse Link	Current Rating for Fuse Link
EKF1-10(X)PV-10	1000VDC	10x38mm	1,2,3,4,5,6,8,10,12,15,16,20,25,30,32A
EKF1-10(X)PVH-10	1000VDC	10x38mm	1,2,3,4,5,6,8,10,12,15,16,20,25,30,32A
EKF1-15PV-10L	1500VDC	10x85mm	2,3,4,5,6,8,10,12,15,16,20,25,30,32A
EKF1-15PV-14L	1500VDC	14x85mm	8,10,12,15,16,20,25,30,32,35,40,45,50A

Technical Data

Model			
	EKFL10D10	EKFL15D10L	EKFL15D14L
Size	10x38mm	10x85mm	14x85mm
Rated Voltage	1000VDC	1500VDC	1500VDC
Rated Current	1-32A	2-32A	8-50A
Class of Operation	gPV	gPV	gPV
Breaking capacity	20KA	20KA	20KA
Standard:	IEC60269		

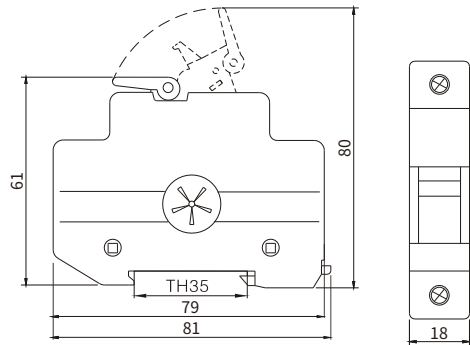
Product Selection Guide

EKFL-10D10L16
EK Company Code
FL Fuse Link
10 DC Voltage Grade (10:1000VDC,15:1500VDC)
D For Solar DC system
10L Size of Fuse link (10: 10x38mm 1000V, 10L: 10x85mm 1500V, 14L: 14x85mm 1500V)
16 Current Rating (01,02...40,50A)

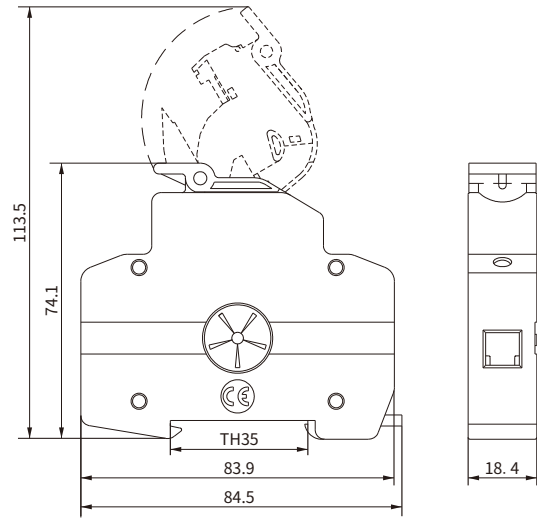
Current Rating	Reference No. for Fuse Link		
	Voltage Grade and Size of Fuse Link		
	EKFL10D10	EKFL15D10L	EKFL15D14L
	1000VDC	1500VDC	1500VDC
	10x38mm	10x85mm	14x85mm
1A	EKFL10D1001		
2A	EKFL10D1002	EKFL15D10L02	
3A	EKFL10D1003	EKFL15D10L03	
4A	EKFL10D1004	EKFL15D10L04	
5A	EKFL10D1005	EKFL15D10L05	
6A	EKFL10D1006	EKFL15D10L06	
8A	EKFL10D1008	EKFL15D10L08	EKFL15D14L08
10A	EKFL10D1010	EKFL15D10L10	EKFL15D14L10
12A	EKFL10D1012	EKFL15D10L12	EKFL15D14L12
15A	EKFL10D1015	EKFL15D10L15	EKFL15D14L15
16A	EKFL10D1016	EKFL15D10L16	EKFL15D14L16
20A	EKFL10D1020	EKFL15D10L20	EKFL15D14L20
25A	EKFL10D1025	EKFL15D10L25	EKFL15D14L25
30A	EKFL10D1030	EKFL15D10L30	EKFL15D14L30
32A	EKFL10D1032	EKFL15D10L32	EKFL15D14L32
35A			EKFL15D14L35
40A			EKFL15D14L40
45A			EKFL15D14L45
50A			EKFL15D14L50

Overall and Installation Dimension(mm)

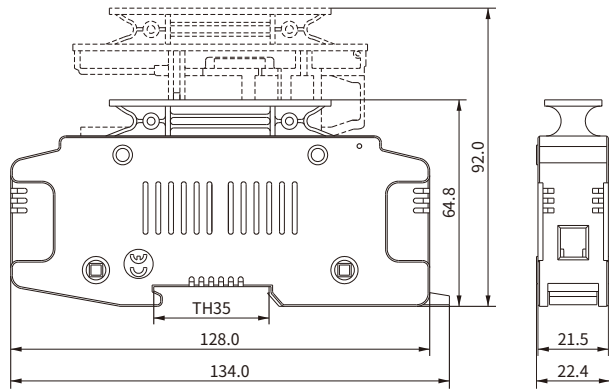
EKF1-10(X)PV-10



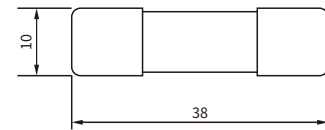
EKF1-10(X)PVH-10



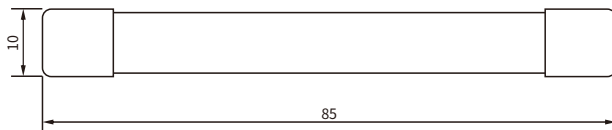
EKF1-15PV-10L/EKF1-15PV-14L



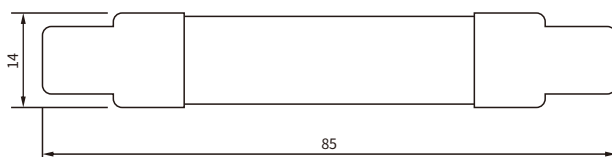
EKFL10D10

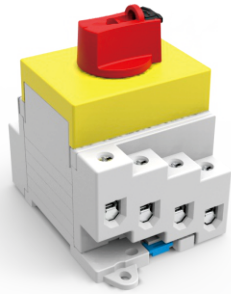


EKFL15D10L



EKFL15D14L





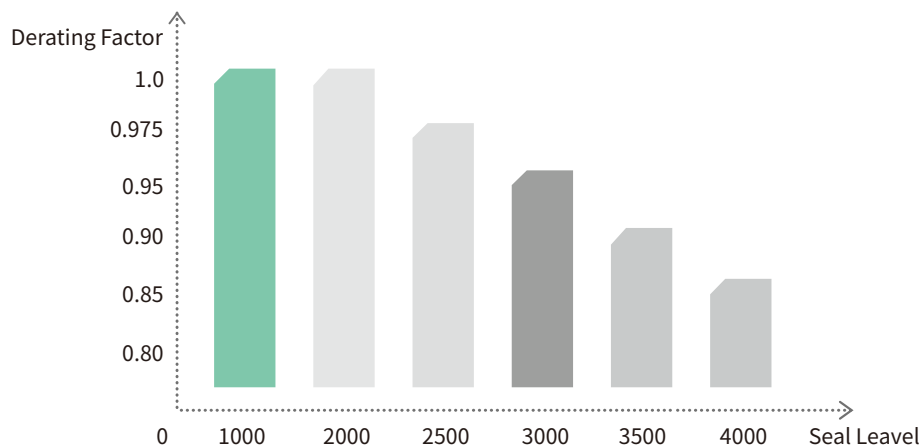
Description

- Parallel wiring, larger aperture, much easier wiring.
- Suitable for distribution box module with lock installation.
- Arc extinction time less than 3ms.
- Modular design. 2 poles & 4poles optional.
- Comply with IEC60947-3(ed.3.2):2015,DC-PV1standard.

Technical Data


Data according to IEC60947-3(ed.3.2):2015,GB14048.3. Utilization category DC-PV1/DC-PV2								Series	No.of Strings	Part Number	Contact Configuration
500V	600V	700V	800V	900V	1000V	1200V	1500V				
32	32	32	32	23	16	13	7	2	1	EKD6-DB32-2	
32	32	32	32	23	16	13	7	4	2	EKD6-DB32-4	
32	32	32	32	32	32	32	23	4	1	EKD6-DB32-4S	
32	32	32	32	32	32	32	23	4	1	EKD6-DB32-4B	
32	32	32	32	32	32	32	23	4	1	EKD6-DB32-4T	

Altitude Derating Curve

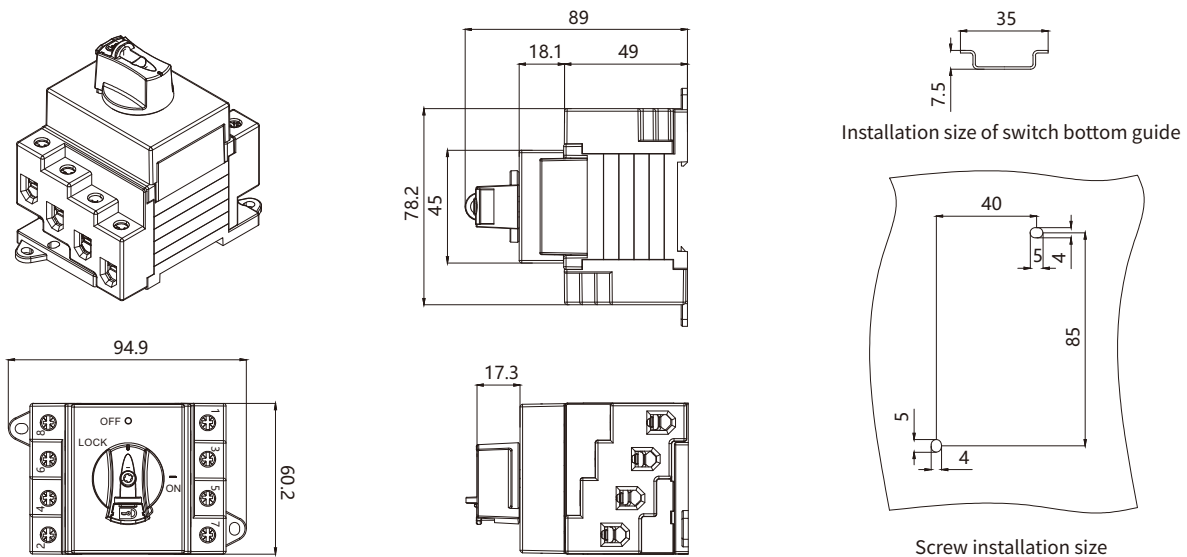


Technical Data

Data according to IEC60947-3(ed.3.2):2015,UL508i,GB14048.3. Utilization category DC-PV1 / DC-PV2.

Main Parameters			DB32
Rated insulation voltage	U_i	V	1500
Rated thermal current	I_{the}	A	32
Rated impulse withstand voltage	U_{imp}	V	8000
Rated short-circuit making capacity	I_{cm}	A	1000
Rated conditional short-circuit current	I_{cc}	A	5000
Max. fuse size	$g, (gG)$	A	80
Maximum cable cross sections (incl. jumper)			
Solid or standard		mm ²	4-16
Flexible		mm ²	4-10
Flexible (+ multicore cable end)		mm ²	4-10
Torque			
Tightening torque terminal screws M4.		Nm	1.2-1.8
Tightening torque knob screws M3		Nm	0.5-0.7
Switching on or off torque		Nm	0.9-1.3
General parameters			
Method of mounting			Single Hole Mounting
Type of knob			
Knob positions			OFF at 9 hr, ON at 12 hr
Mechanical life			10000
Number of DC poles			2 or 4
Operation temperature	°C		-40 to +70
Storage temperature	°C		-40 to +85
Pollution degree			2
Overvoltage category			III
IP rating of shafte and mounting nut			IP66

Overall and Installation Dimension(mm)





Description

IP66 box-type design:

- ◆ Screw fixing doesn't interfere with the sealing performance;
- ◆ Multiple mechanical seals around the shaft guarantee the reliability of a waterproof and moisture-proof design;
- ◆ Stainless steel rotary screw does not rust nor damp;
- ◆ Standard cable interface available with seal rings;
- ◆ Internal sealing in top and bottom covers, combined with 2 screws, guarantee an IP66 protection degree;

SAFE-LOCK with three rotational positions, reducing the risk of tampering.

The isolator is compatible with various cables: M25, M20, M16, and M12, and with optional waterproof cable joints and MC4 joints.



Characteristics of the integration inside the on/of switch:


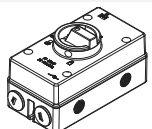
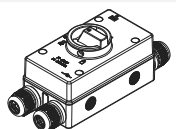
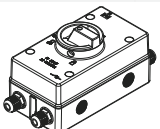
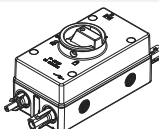
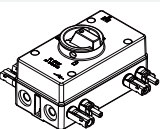
- ◆ Compact structure, with optional 2 or 4 DC poles;
- ◆ Incorporating a user independent switching action, spring mechanism, to ensure a very fast break/make action, ensuring that the disconnection of the load circuits and suppression of the arc normally occurs within 5ms.
- ◆ Self-cleaning contact mechanism, reducing power loss and abrasion, improving the conduction performance, reducing the resistance and energy loss of the switch, extending the on-off lifecycle.
- ◆ Double arc extinguishing mechanism, magnetic and arc chutes, restrain the arc efficiency, especially DC arcs.

Technical Data

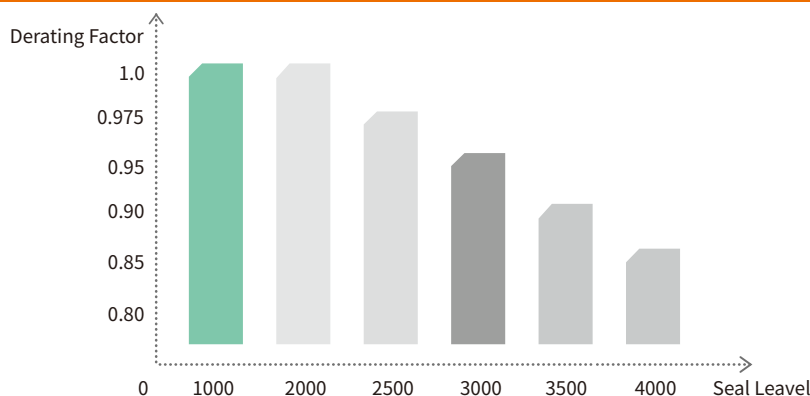
Data according to IEC60947-3(ed.3.2):2015,GB14048.3. Utilization category DC-PV1/DC-PV2								Series	No.of Strings	Part Number	Contact Configuration
500V	600V	700V	800V	900V	1000V	1200V	1500V				
32	32	32	32	23	16	13	7	2	1	EKD6-EL32R-2	
32	32	32	32	23	16	13	7	4	2	EKD6-EL32R-4	
32	32	32	32	32	32	32	23	4	1	EKD6-EL32R-4S	
32	32	32	32	32	32	32	23	4	1	EKD6-EL32R-4B	
32	32	32	32	32	32	32	23	4	1	EKD6-EL32R-4T	

Technical Data

Data according to IEC60947-3(ed.3.2):2015,UL508i,GB14048.3. Utilization category DC-PV1 / DC-PV2.

Main Parameters			EL32R		
Rated insulation voltage	U_i	V	1500		
Rated thermal current	I_{the}	A	32		
Rated impulse withstand voltage	U_{imp}	V	8000		
Rated short-circuit making capacity	I_{cm}	A	1000		
Rated conditional short-circuit current	I_{cc}	A	5000		
Max. fuse size	$g.(gG)$	A	80		
Maximum cable cross sections (incl. jumper)					
Solid or standard		mm ²	4-16		
Flexible		mm ²	4-10		
Flexible (+ multicore cable end)		mm ²	4-10		
Torque					
Tightening torque terminal screws M4.		Nm	1.2-1.8		
Tightening torque panel mounting screws ST4.2(304 stainless steel)		Nm	1.5-2.0		
Tightening torque knob screws M3		Nm	0.5-0.7		
Switching on or off torque		Nm	0.9-1.3		
General parameters					
Method of mounting	Wall-mounted or screw installation				
Type of knob					
Knob positions	OFF at 9 hr, ON at 12 hr				
Mechanical life	10000				
Number of DC poles	2 or 4				
Distance of contacts (per pole)	8				
Operation temperature	°C	-40 to +70			
Storage temperature	°C	-40 to +85			
Pollution degree	2				
Overtoltage category	III				
IP rating of shafte and mounting nut	IP66				
Types					
					
Specs	M25 Waterproof Cap	Cable Gland M25	Cable Gland M16	2MC4/H4(Optional)	4MC4/H4(Optional)
Independent Strings	1 or 2	1 or 2	1	1	1
Recommend Types	ALL	ALL	2/4S/4T/4B	2/4S/4T/4B	4

Altitude Derating Curve

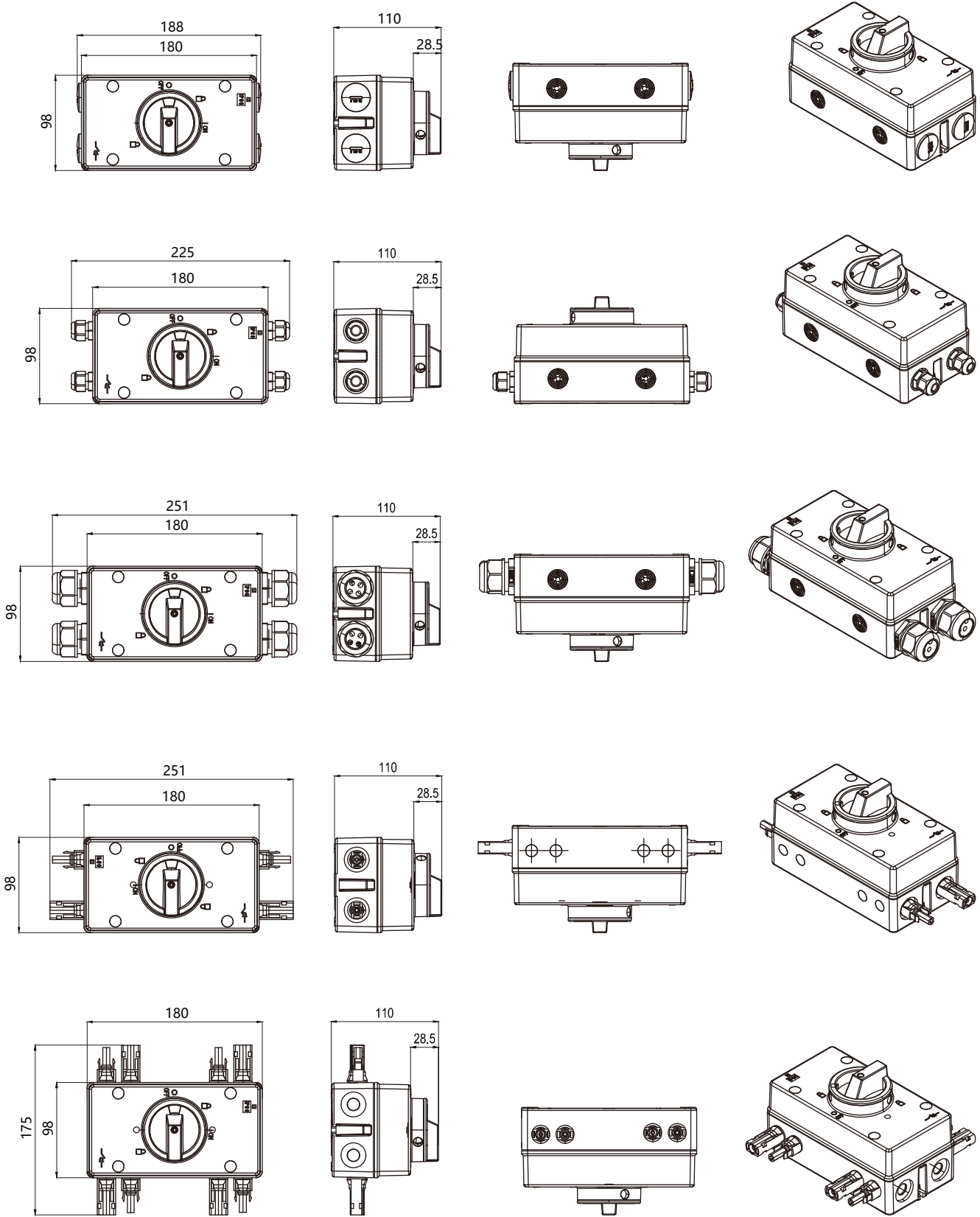


EKD6-EL32R

Enclosed DC Isolator Switch

Standard_IEC60947-3

Overall and Installation Dimension(mm)



Product Performance

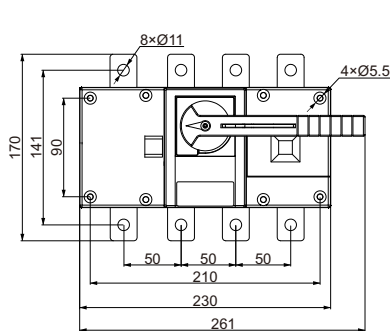


- Rated operational voltage U_e : DC1000/DC1500V
- Rated operational current I_e : 100A-400A
- Rated insulation voltage U_i : DC1500V
- Poles: 2P (with connect bar), 4P
- Connect Material: Red Copper
- Pollution degree: 3
- Protection grade: IP20
- Installation altitude: 2000 m
- Storage temperature: -25 to 55°C
- Working Temperature: -5 to 40°C
- Working humidity: 50% - 90%

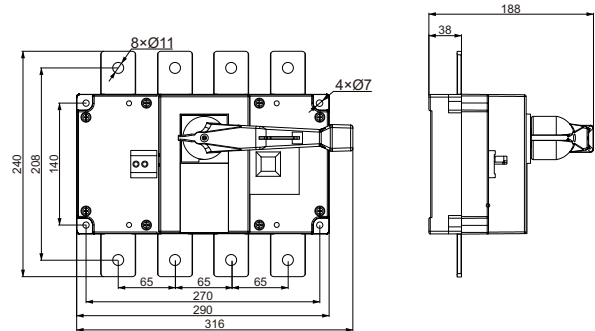
Technical Data

Type	EKD19-100/4	EKD19-125/4	EKD19-160/4	EKD19-200/4	EKD19-250/4	EKD19-315/4	EKD19-400/4
Rated operational current I_e	100A	125A	160A	200A	250A	315A	400A
Rated operational voltage U_e	DC1000V/DC1500V						
Rated insulation voltage U_i	DC1500V						
Installation category	IV						
Utilization category	DC-21B						
Dielectric Strength	3820V						
Rated impulse withstand voltage U_{imp}	12kV						
Rated limited short time withstand current (1cw/1s)	6kA			8kA			
Rated short-time making capacity (1cm)	10kA			13.6kA			
Mechanical endurance times	1700			1400			800
Electrical endurance times (DC1500V)	300			200			
Operating Torque	10N.m			21N.m			
Power Lose W	15			20			

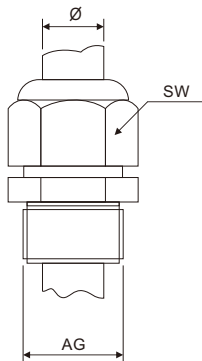
Overall and Installation Dimension(mm)



EKD19-100~250/4



EKD19-315~400/4



Technical Parameters

Material	UL approved nylon PA66, nitrile rubber
Thread Specifications	Metric, PG, G, NPT
Operating temperature	Static -40°C ~ 100°C, instantaneous heat to 120°C, dynamic -20°C ~ 80°C, instantaneous heat to 100°C
Features	Special clamping claws and rubber parts design, clamping range, especially tensile strength, waterproof, dustproof, salt, acid, alcohol, grease and common solvents
Color Category	Black, gray, special colors (white, red, blue, dark gray) can be customized
Protection class	IP68

Specifications Model

Model	Thread size (mm)	Hole size AG(mm)	Thread length (mm)	Wall thickness (mm)	Applicable cable Φ(mm)	Wrench size SW(mm)
PG7	12.5	Ø12.6-13	9	3	3.5-7	18/16
PG9	15.2	Ø15.3-15.5	9	3	4-9	22/19
PG11	18.6	Ø18.7-19	9	3	5-11	24/22
PG13.5	20.4	Ø20.5-21	9	4	6-12	27/24
PG16	22.5	Ø22.6-23	10	5	10-14	30/27
PG19	24	Ø24.2-24.5	10	5	12-15	30/28
PG21	28.3	Ø28.5-29	12	5	13-18	36/33
PG25	30	Ø30.2-30.5	12	6	16-21	37/35
PG29	37	Ø37.2-37.5	12	6	18-25	45/42
PG36	47	Ø47.3-48	17	7	22-32	58/52
PG42	54	Ø54.5-55	19	7	32-39	65/60
PG48	59.3	Ø60-61	19	7	37-44	70/69
PG63	71	Ø71.5-72	27	19	42-51	83/75

PV-EK01(1000V)/PV-EK01-1(1000V)



Solar DC Connector

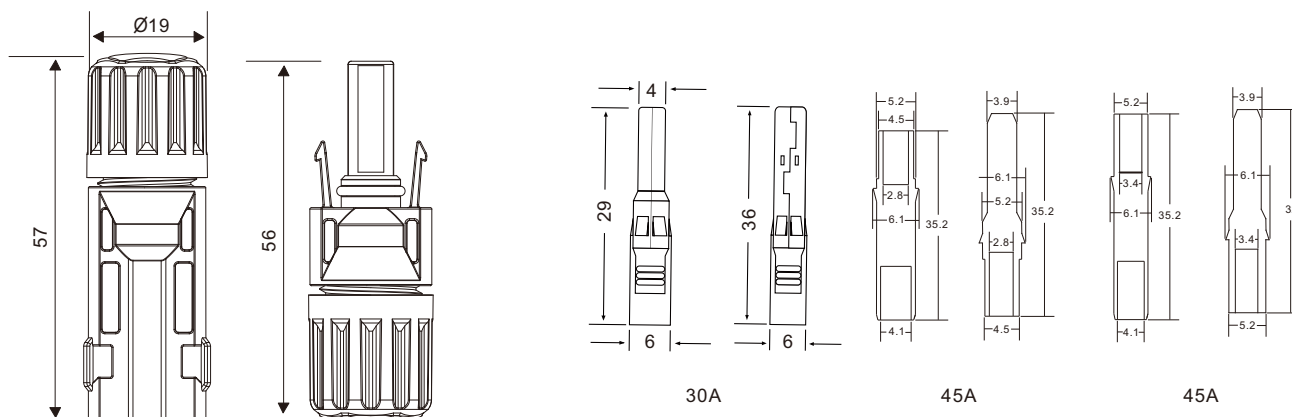
Standard_ IEC60068-2-52



Technical Data

Connector system	Φ2.5mm, Φ4mm, Φ6mm
Rated voltage	1000V DC
Rated current	30A(2.5mm ² , 4mm ² , 6mm ² ; 14AWG, 12AWG, 10AWG) 45A(4mm ² , 6mm ² ; 12AWG, 10AWG)
Test voltage	6kV(50Hz, 1min.)
Ambient temperature range	-40°C... +90°C(IEC) -40°C... +194°F(UL)
Upper limiting temperature	+105°C(IEC)
Degree of protection, mated	IP67
Unmated	IP2X
Contact resistance of plug connectors	0.5mΩ
Safety class	II
Contact material	Messing, verzinkt Copper Alloy, tin plated
Insulation material	PC/PPO
Locking system	Snap-in
Flame class	UL-94-V0
Salt mist spray test, degree of severity 5	IEC 60068-2-52

Dimensional Drawing(mm)



PV-EK02(1000V)/PV-EK02-1(1000V)



Solar DC Connector

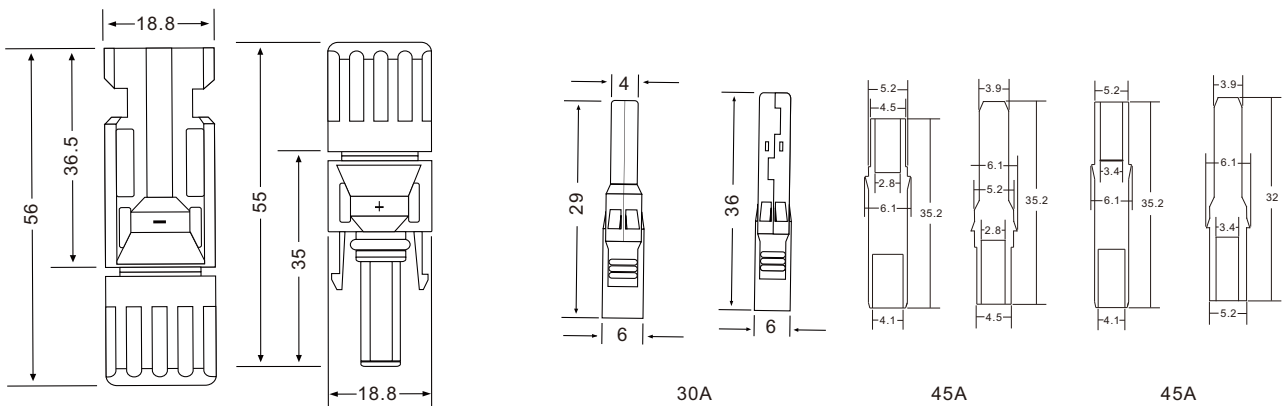
Standard_ IEC60068-2-52



Technical Data

Connector system	Φ2.5mm, Φ4mm, Φ6mm
Rated voltage	1000V DC
Rated current	30A(2.5mm ² , 4mm ² , 6mm ² ; 14AWG, 12AWG, 10AWG) 45A(4mm ² , 6mm ² ; 12AWG, 10AWG)
Test voltage	6kV(50Hz,1min.)
Ambient temperature range	-40°C... +90°C(IEC) -40°C... +194°F(UL)
Upper limiting temperature	+105°C(IEC)
Degree of protection, mated	IP67
Unmated	IP2X
Contact resistance of plug connectors	0.5mΩ
Safety class	II
Contact material	Messing, verzinkt Copper Alloy, tin plated
Insulation material	PC/PPO
Locking system	Snap-in
Flame class	UL-94-V0
Salt mist spray test, degree of severity 5	IEC 60068-2-52

Dimensional Drawing(mm)



PV-EK03(1000V)/PV-EK03-1(1000V)



Solar DC Connector

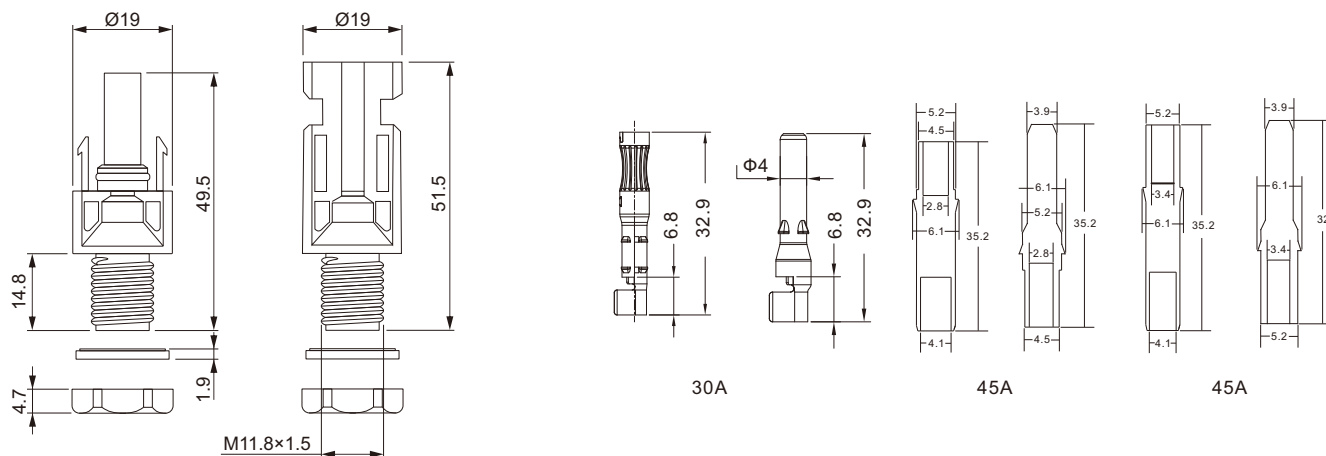
Standard_ IEC60068-2-52



Technical Data

Connector system	Φ2.5mm, Φ4mm, Φ6mm
Rated voltage	1000V DC
Rated current	30A(2.5mm ² , 4mm ² , 6mm ² ; 14AWG, 12AWG, 10AWG) 45A(4mm ² , 6mm ² ; 12AWG, 10AWG)
Test voltage	6kV(50Hz,1min.)
Ambient temperature range	-40°C... +90°C(IEC) -40°C... +194°F(UL)
Upper limiting temperature	+105°C(IEC)
Degree of protection, mated	IP67
Unmated	IP2X
Contact resistance of plug connectors	0.5mΩ
Safety class	II
Contact material	Messing, verzinkt Copper Alloy, tin plated
Insulation material	PC/PPO
Locking system	Snap-in
Flame class	UL-94-V0
Salt mist spray test, degree of severity 5	IEC 60068-2-52

Dimensional Drawing(mm)



PV-EK04(1500V)/PV-EK04-1(1500V)



Solar DC Connector

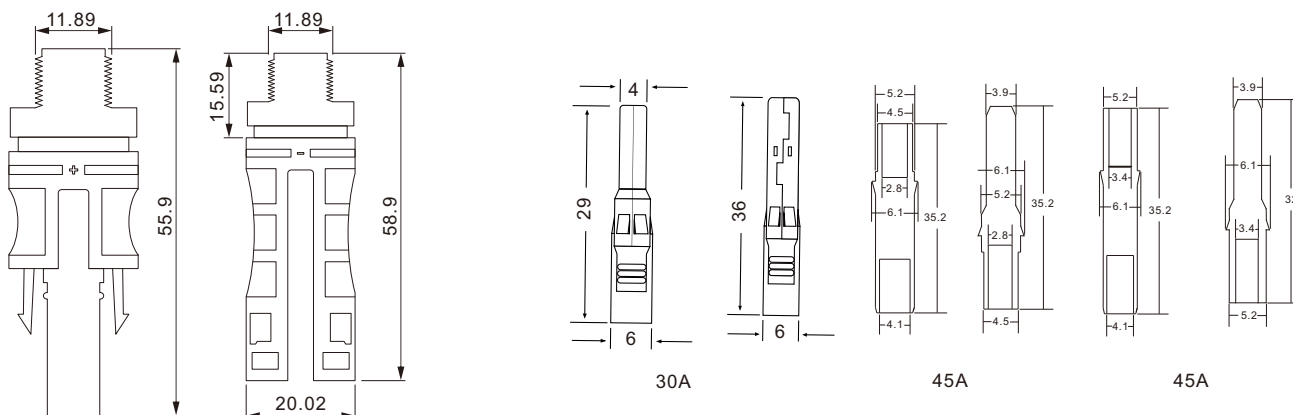
Standard_ IEC60068-2-52



Technical Data

Connector system	Φ2.5mm, Φ4mm, Φ6mm
Rated voltage	1500V DC
Rated current	30A(2.5mm ² , 4mm ² , 6mm ² ; 14AWG, 12AWG, 10AWG) 45A(4mm ² , 6mm ² ; 12AWG, 10AWG)
Test voltage	6kV(50Hz,1min.)
Ambient temperature range	-40°C... +90°C(IEC) -40°C... +194°F(UL)
Upper limiting temperature	+105°C(IEC)
Degree of protection, mated	IP67
Unmated	IP2X
Contact resistance of plug connectors	0.5mΩ
Safety class	II
Contact material	Messing, verzinkt Copper Alloy, tin plated
Insulation material	PC/PPO
Locking system	Snap-in
Flame class	UL-94-V0
Salt mist spray test, degree of severity 5	IEC 60068-2-52

Dimensional Drawing(mm)



PV-EK05(1500V)/PV-EK05-1(1500V)



Solar DC Connector

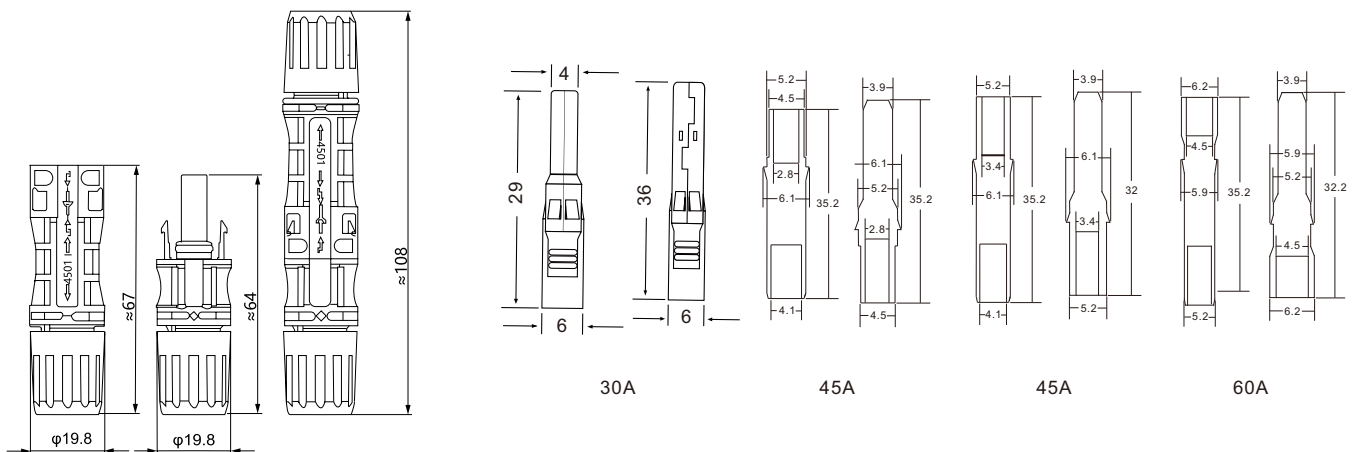
Standard_ IEC60068-2-52



Technical Data

Connector system	Φ2.5mm, Φ4mm, Φ6mm, Φ10mm, Φ16mm
Rated voltage	1500V DC
Rated current	30A(2.5mm ² , 4mm ² , 6mm ² ; 14AWG, 12AWG, 10AWG) 45A(4mm ² , 6mm ² ; 12AWG, 10AWG) 60A(10mm ² ; 8AWG) 80A(16mm ² ; 7AWG)
Test voltage	6kV(50Hz, 1min.)
Ambient temperature range	-40°C... +90°C(IEC) -40°C... +194°F(UL)
Upper limiting temperature	+105°C(IEC)
Degree of protection, mated	IP67
Unmated	IP2X
Contact resistance of plug connectors	0.5mΩ
Safety class	II
Contact material	Messing, verzinkt Copper Alloy, tin plated
Insulation material	PC/PPO
Locking system	Snap-in
Flame class	UL-94-V0
Salt mist spray test, degree of severity 5	IEC 60068-2-52

Dimensional Drawing(mm)



PV-EKF02(1500V)



Solar DC Connector

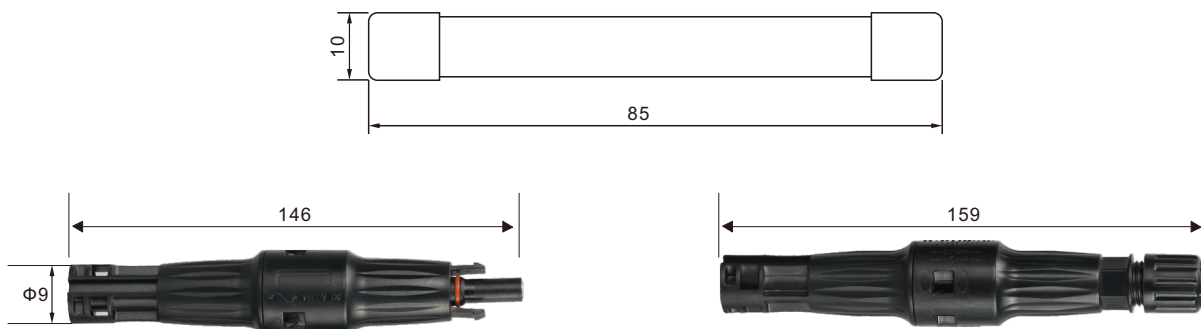
Standard_ IEC60068-2-52



Technical Data

Connector system	Φ4mm
Rated voltage	1500V DC(IEC) ¹
Rated current	10A,15A,20A,25A
Test voltage	6kV(50Hz,1min.)
Ambient temperature range	-40°C... +90°C(IEC) -40°C... +194°F(UL)
Upper limiting temperature	+105°C(IEC)
Degree of protection, mated	IP67
Unmated	IP2X
Contact resistance of plug connectors	0.5mΩ
Safety class	II
Contact material	Messing, verzinkt Copper Alloy, tin plated
Insulation material	PC/PPO
Locking system	Snap-in
Flame class	UL-94-V0
Salt mist spray test, degree of severity 5	IEC 60068-2-52

Dimensional Drawing(mm)

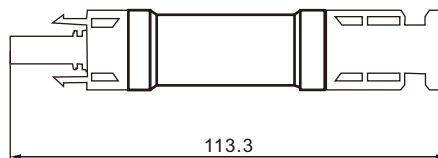
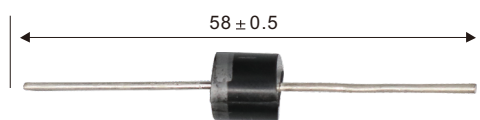




Technical Data

Connector system	Φ4mm
Rated voltage	1000V DC
Rated current	10A,15A,20A,30A
Test voltage	6kV(50Hz,1min.)
Ambient temperature range	-40°C... +90°C(IEC)
Upper limiting temperature	+105°C(IEC)
Degree of protection, mated	IP67
Unmated	IP2X
Contact resistance of plug connectors	0.5mΩ
Safety class	II
Contact material	Messing, verzinkt Copper Alloy, tin plated
Insulation material	PC/PPO
Locking system	Snap-in
Flame class	UL-94-V0
Salt mist spray test, degree of severity 5	IEC 60068-2-52

Dimensional Drawing(mm)

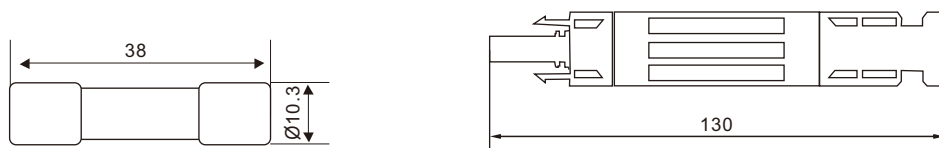




Technical Data

Connector system	Φ4mm
Rated voltage	1000V DC
Rated current	10A,15A,20A,25A,30A
Test voltage	6kV(50Hz,1min.)
Ambient temperature range	-40°C... +90°C(IEC)
Upper limiting temperature	+105°C(IEC)
Degree of protection, mated	IP67
Unmated	IP2X
Contact resistance of plug connectors	0.5mΩ
Safety class	II
Contact material	Messing, verzinkt Copper Alloy, tin plated
Insulation material	PC/PPO
Locking system	Snap-in
Flame class	UL-94-V0
Salt mist spray test, degree of severity 5	IEC 60068-2-52

Dimensional Drawing(mm)





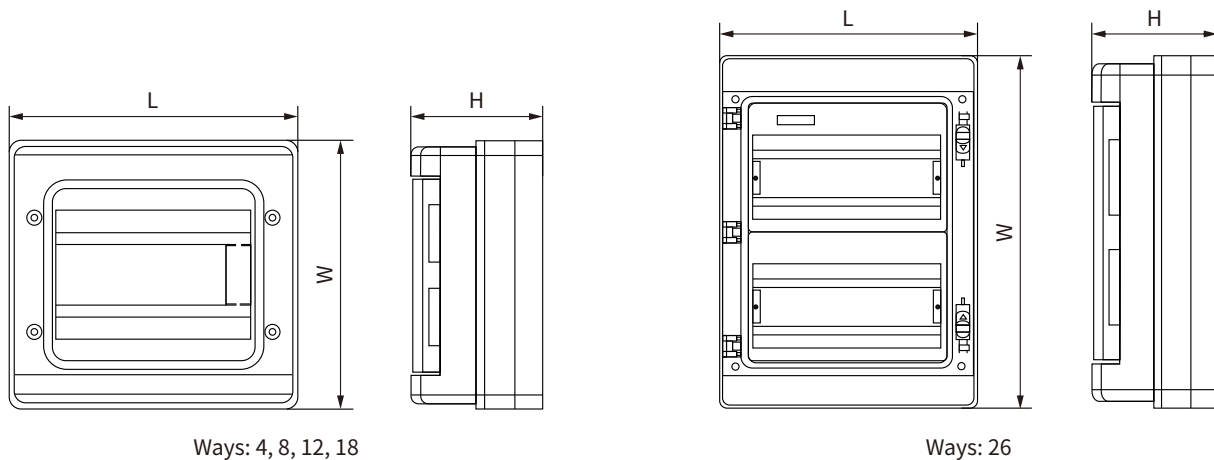
Product Function Introduction

Protection class	IP65
Insulation	Class II
Material	Polycarbonate/ABS
Shock resistance	IK10
Protection against chemicals and weather conditions	Water, saline solutions, acids, basics, mineral oils, UV rays
Operating temperature	-25°C~+100°C
Performance	
Nominal insulation voltage	1000V AC-1500V DC

HA Series Surface-Mounted Waterproof Distribution Box Product Data Summary Table

Model No.	Ways	Dimensions(mm)		
		L	W	H
HA-4	4	142.8	210.3	99.5
HA-8	8	215	209	98
HA-12	12	298	259	140
HA-18	18	411	286.3	137.8
HA-26	26(2x13)	323.5	420	139.5

Overall and Installation Dimension(mm)





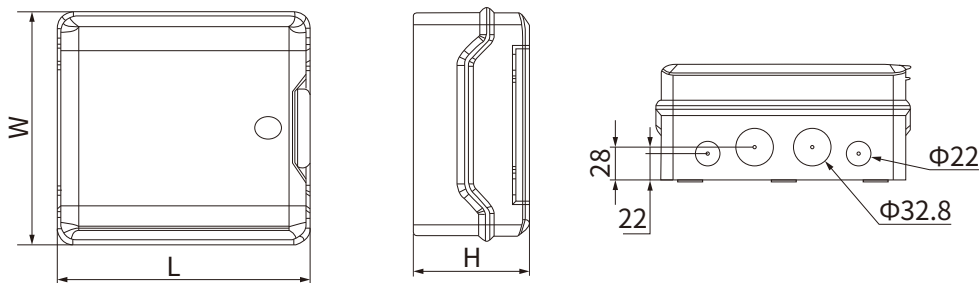
Product Function Introduction

- IP65 degree of protection
- Lock structure
- Reserved position for functional stickers
- Reserved for installation of anti-theft locks
- Circuit baffle structure
- Surface frame loose structure
- With knockout hole
- With copper terminal assemblies

EKDB10 Series Surface-Mounted Waterproof Distribution Box Product Data Summary Table

No.	Model and name	Ways	Ranked	Dimensions LxWxH	Zero and ground row configuration
1	EKDB10-4	4	Single row	128x200x100	Zero row: 3 holes Ground row: 3 holes
2	EKDB10-6	6		164x200x100	Zero row: 5 holes Ground row: 5 holes
3	EKDB10-9	9		218x200x100	Zero row: 5 holes Ground row: 5 holes
4	EKDB10-13	13		296x230x120	Zero row: 8 holes Ground row: 8 holes
5	EKDB10-15	15		332x230x120	Zero row: 8 holes Ground row: 8 holes
6	EKDB10-18	18		380x230x120	Zero row: 8 holes Ground row: 8 holes
7	EKDB10-26	26(2x13)	Double row	296x390x130	Zero row: Two 8 holes Ground row: Two 8 holes

Overall and Installation Dimension(mm)





Overview

The EKDBS series of solar DC combiner boxes are designed with a high-strength plastic shell, ensuring a robust and durable product. The boxes have an IP65 protection level, providing optimal protection against harsh environmental conditions. These combiner boxes are suitable for both household and industrial photovoltaic power generation systems that operate at 500V, 600V, 1000V, and 1500V.

The boxes can be equipped with a range of components such as DC circuit breakers, isolator switches, DC surge protectors, DC fuses, photovoltaic connectors, or waterproof joints.

The EKDBS series offers lightning protection, short circuit protection, and ground protection, ensuring the safety of the system.

The EKDBS series supports one or multiple outputs and can be easily installed on walls. All components, apart from the core components, can be customized according to user requirements.

Model Preparation Meaning

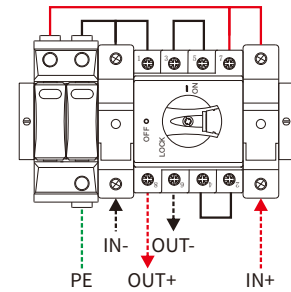
Code name	Meaning	Code name	Meaning
①	ETEK	⑤	Blank: without F: Fuse S: SPD C: Cable Gland I: Isolator B: Breaker M: MC4
②	DBS: plastic box; DBT: metal box	⑥	500: 500V 1000: 1000V 600: 600V 1500: 1500V
③	PV: General photovoltaic sites PVZ: Photovoltaic power station		
④	String in/String out: 1/1, 2/1, 3/1 ... 24/1		

Solar DC Combiner Box

1 String Input 1 String Output DC 600V

DC Isolator Switch Box

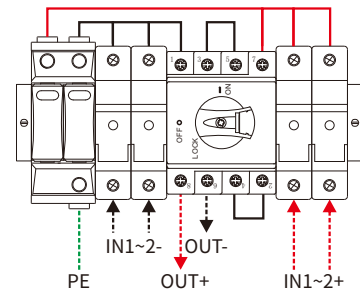
Model	EKDBS-PV1/1-IFS-600	Quantity
Enclosure of Box	HA-12 ways	1
DC SPD	EKU5-T2-40PV-2M600 (40kA, 2P, 600VDC)	1
DC Isolator	EKD6-DB32-4S (4P, 32A)	1
DC Fuse with Link	EKF1-10XPVH-10-1P (Max 32A 1000VDC)	2
PG connector	PG9 (4-9mm ²)	4
MC4 connector	PV-EK03 (6mm ²)	2
	PV-EK01 (6mm ²)	2
Ground connector	PG9 (4-9mm ²)	1



2 String Input 1 String Output DC 600V

DC Isolator Switch Box

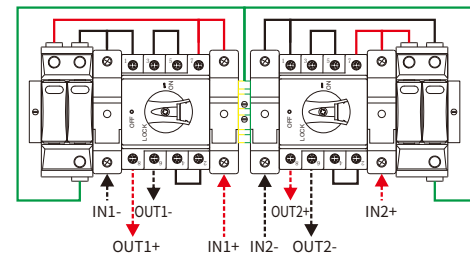
Model	EKDBS-PV2/1-IFS-600	Quantity
Enclosure of Box	HA-12 ways	1
DC SPD	EKU5-T2-40PV-2M600 (40kA, 2P, 600VDC)	1
DC Isolator	EKD6-DB32-4S (4P, 32A)	1
DC Fuse with Link	EKF1-10XPVH-10-1P (Max 15A 1000VDC)	4
PG connector	PG9 (4-9mm ²)	6
MC4 connector	PV-EK03 (6mm ²)	3
	PV-EK01 (6mm ²)	3
Ground connector	PG9 (4-9mm ²)	1



2 String Input 2 String Output DC 600V

DC Isolator Switch Box

Model	EKDBS-PV2/2-IFS-600	Quantity
Enclosure of Box	HA-18 ways	1
DC SPD	EKU5-T2-40PV-2M600 (40kA, 2P, 600VDC)	2
DC Isolator	EKD6-DB32-4S (4P, 32A)	2
DC Fuse with Link	EKF1-10XPVH-10-1P (Max 32A 1000VDC)	4
PG connector	PG9 (4-9mm ²)	8
MC4 connector	PV-EK03 (6mm ²)	4
	PV-EK01 (6mm ²)	4
Ground connector	PG9 (4-9mm ²)	1

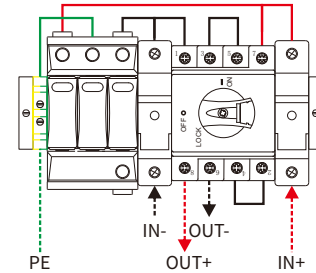


Solar DC Combiner Box

1 String Input 1 String Output DC 1000V

DC Isolator Switch Box

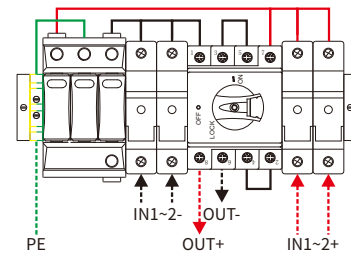
Model	EKDBS-PV1/1-IFS-1000	Quantity
Enclosure of Box	HA-12 ways	1
DC SPD	EKU5-T2-40PV-3M1000 (40kA, 3P, 1000VDC)	1
DC Isolator	EKD6-DB32-4S (4P, 32A)	1
DC Fuse with Link	EKF1-10XPVH-10-1P (Max 32A 1000VDC)	2
PG connector	PG9 (4-9mm ²)	4
MC4 connector	PV-EK03 (6mm ²)	2
	PV-EK01 (6mm ²)	2
Ground connector	PG9 (4-9mm ²)	1



2 String Input 1 String Output DC 1000V

DC Isolator Switch Box

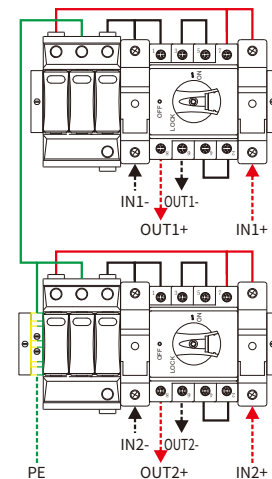
Model	EKDBS-PV2/1-IFS-1000	Quantity
Enclosure of Box	HA-12 ways	1
DC SPD	EKU5-T2-40PV-3M1000 (40kA, 3P, 1000VDC)	1
DC Isolator	EKD6-DB32-4S (4P, 32A)	1
DC Fuse with Link	EKF1-10XPVH-10-1P (Max 15A 1000VDC)	4
PG connector	PG9 (4-9mm ²)	6
MC4 connector	PV-EK03 (6mm ²)	3
	PV-EK01 (6mm ²)	3
Ground connector	PG9 (4-9mm ²)	1



2 String Input 2 String Output DC 1000V

DC Isolator Switch Box

Model	EKDBS-PV2/2-IFS-1000	Quantity
Enclosure of Box	HA-26 ways	1
DC SPD	EKU5-T2-40PV-3M1000 (40kA, 3P, 1000VDC)	2
DC Isolator	EKD6-DB32-4S (4P, 32A)	2
DC Fuse with Link	EKF1-10XPVH-10-1P (Max 32A 1000VDC)	4
PG connector	PG9 (4-9mm ²)	8
MC4 connector	PV-EK03 (6mm ²)	4
	PV-EK01 (6mm ²)	4
Ground connector	PG9 (4-9mm ²)	1

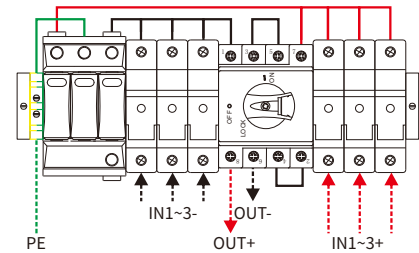


Solar DC Combiner Box

3 String Input 1 String Output DC 1000V

DC Isolator Switch Box

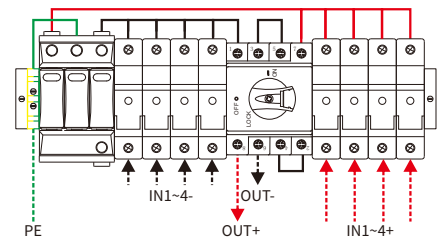
Model	EKDBS-PV3/1-IFS-1000	Quantity
Enclosure of Box	HA-18 ways	1
DC SPD	EKU5-T2-40PV-3M1000 (40kA, 3P, 1000VDC)	1
DC Isolator	EKD6-DB32-4S (4P, 32A)	1
DC Fuse with Link	EKF1-10XPVH-10-1P (Max 10A 1000VDC)	6
PG connector	PG9 (4-9mm ²)	8
MC4 connector	PV-EK03 (6mm ²)	4
	PV-EK01 (6mm ²)	4
Ground connector	PG9 (4-9mm ²)	1



4 String Input 1 String Output DC 1000V

DC Isolator Switch Box

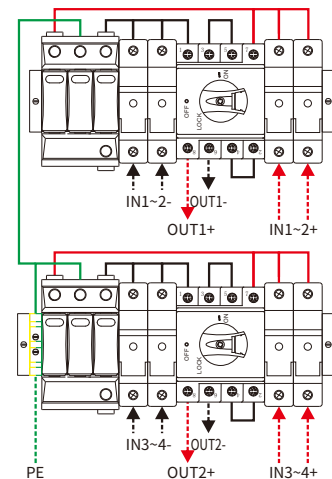
Model	EKDBS-PV4/1-IFS-1000	Quantity
Enclosure of Box	HA-18 ways	1
DC SPD	EKU5-T2-40PV-3M1000 (40kA, 3P, 1000VDC)	1
DC Isolator	EKD6-DB32-4S (4P, 32A)	1
DC Fuse with Link	EKF1-10XPVH-10-1P (Max 5A 1000VDC)	8
PG connector	PG9 (4-9mm ²)	10
MC4 connector	PV-EK03 (6mm ²)	5
	PV-EK01 (6mm ²)	5
Ground connector	PG9 (4-9mm ²)	1



4 String Input 2 String Output DC 1000V

DC Isolator Switch Box

Model	EKDBS-PV4/2-IFS-1000	Quantity
Enclosure of Box	HA-26 ways	1
DC SPD	EKU5-T2-40PV-3M1000 (40kA, 3P, 1000VDC)	2
DC Isolator	EKD6-DB32-4S (4P, 32A)	2
DC Fuse with Link	EKF1-10XPVH-10-1P (Max 5A 1000VDC)	8
PG connector	PG9 (4-9mm ²)	12
MC4 connector	PV-EK03 (6mm ²)	6
	PV-EK01 (6mm ²)	6
Ground connector	PG9 (4-9mm ²)	1

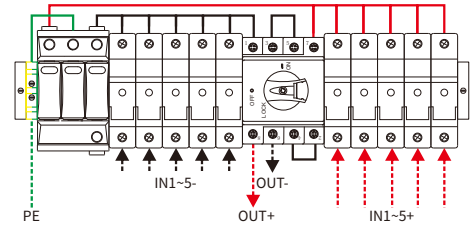


Solar DC Combiner Box

5 String Input 1 String Output DC 1000V

DC Isolator Switch Box

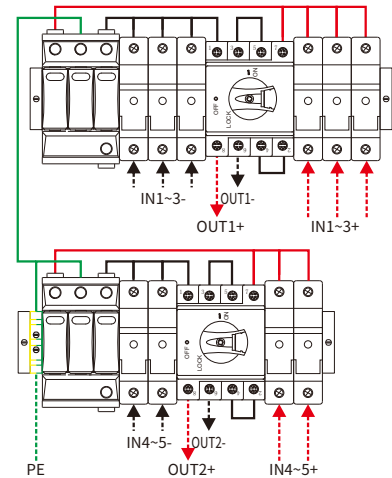
Model	EKDBS-PV5/1-IFS-1000	Quantity
Enclosure of Box	HA-18 ways	1
DC SPD	EKU5-T2-40PV-3M1000 (40kA, 3P, 1000VDC)	1
DC Isolator	EKD6-DB32-4S (4P, 32A)	1
DC Fuse with Link	EKF1-10XPVH-10-1P (Max 6A 1000VDC)	10
PG connector	PG9 (4-9mm ²)	12
MC4 connector	PV-EK03 (6mm ²)	6
	PV-EK01 (6mm ²)	6
Ground connector	PG9 (4-9mm ²)	1



5 String Input 2 String Output DC 1000V

DC Isolator Switch Box

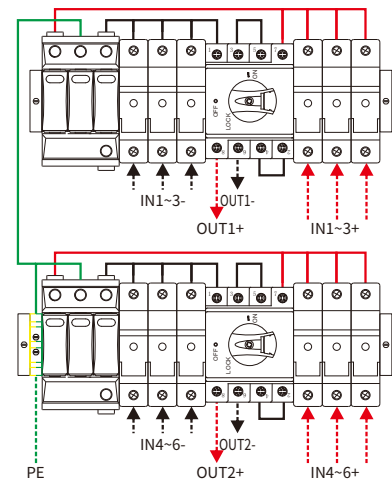
Model	EKDBS-PV5/2-IFS-1000	Quantity
Enclosure of Box	HA-18 ways	1
DC SPD	EKU5-T2-40PV-3M1000 (40kA, 3P, 1000VDC)	2
DC Isolator	EKD6-DB32-4S (4P, 32A)	2
DC Fuse with Link	EKF1-10XPVH-10-1P (Max 10A 1000VDC)	10
PG connector	PG9 (4-9mm ²)	14
MC4 connector	PV-EK03 (6mm ²)	7
	PV-EK01 (6mm ²)	7
Ground connector	PG9 (4-9mm ²)	1



6 String Input 2 String Output DC 1000V

DC Isolator Switch Box

Model	EKDBS-PV6/2-IFS-1000	Quantity
Enclosure of Box	HA-26 ways	1
DC SPD	EKU5-T2-40PV-3M1000 (40kA, 3P, 1000VDC)	2
DC Isolator	EKD6-DB32-4S (4P, 32A)	2
DC Fuse with Link	EKF1-10XPVH-10-1P (Max 5A 1000VDC)	12
PG connector	PG9 (4-9mm ²)	16
MC4 connector	PV-EK03 (6mm ²)	8
	PV-EK01 (6mm ²)	8
Ground connector	PG9 (4-9mm ²)	1

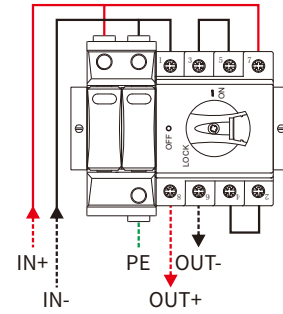


Solar DC Combiner Box

1 String Input 1 String Output DC 600V

DC Isolator Switch Box

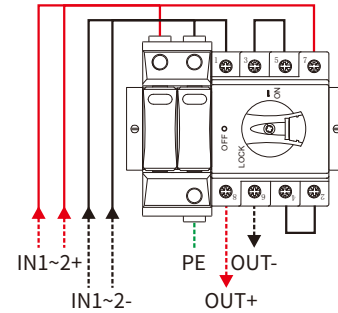
Model	EKDBS-PV1/1-ISM-600	Quantity
Enclosure of Box	HA-8 ways	1
DC SPD	EKU5-T2-40PV-2M600 (40kA, 2P, 600VDC)	1
DC Isolator	EKD6-DB32-4S (4P, 32A)	1
MC4 connector	PV-EK03 (6mm ²)	2
	PV-EK01 (6mm ²)	2
Ground connector	PG9 (4-9mm ²)	1



2 String Input 1 String Output DC 600V

DC Isolator Switch Box

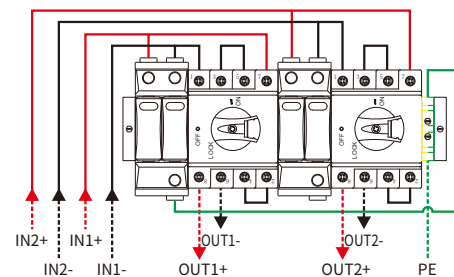
Model	EKDBS-PV2/1-ISM-600	Quantity
Enclosure of Box	HA-8 ways	1
DC SPD	EKU5-T2-40PV-2M600 (40kA, 2P, 600VDC)	1
DC Isolator	EKD6-DB32-4S (4P, 32A)	1
MC4 connector (input & output)	PV-EK03 (6mm ²)	3
	PV-EK01 (6mm ²)	3
Ground connector	PG9 (4-9mm ²)	1



2 String Input 2 String Output DC 600V

DC Isolator Switch Box

Model	EKDBS-PV2/2-ISM-600	Quantity
Enclosure of Box	HA-8 ways	1
DC SPD	EKU5-T2-40PV-2M600 (40kA, 2P, 600VDC)	1
DC Isolator	EKD6-DB32-4S (4P, 32A)	1
MC4 connector (input & output)	PV-EK03 (6mm ²)	4
	PV-EK01 (6mm ²)	4
Ground connector	PG9 (4-9mm ²)	1

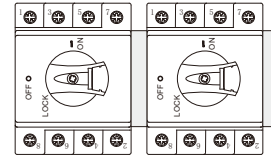


Solar DC Combiner Box

2/4 String Input 2/4 String Output DC 1000V

DC Isolator Switch Box

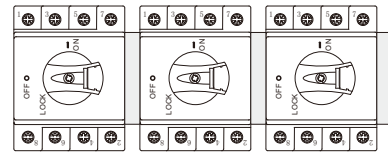
Model	EKDBS-PV2/2-I-1000	Quantity
Enclosure of Box	HA-8 ways	1
DC Isolator	EKD6-DB32 (4P, 32A)	2



3/6 String Input 3/6 String Output DC 1000V

DC Isolator Switch Box

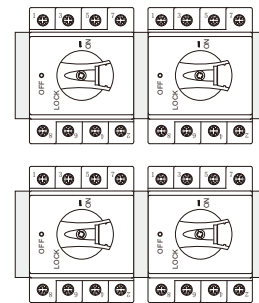
Model	EKDBS-PV3/3-I-1000	Quantity
Enclosure of Box	HA-12 ways	1
DC Isolator	EKD6-DB32 (4P, 32A)	3



4 String Input 4 String Output DC 1000V

DC Isolator Switch Box

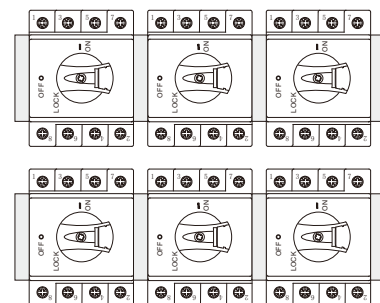
Model	EKDBS-PV4/4-I-1000	Quantity
Enclosure of Box	HA-26 ways	1
DC Isolator	EKD6-DB32-4S (4P, 32A)	4



6 String Input 6 String Output DC 1000V

DC Isolator Switch Box

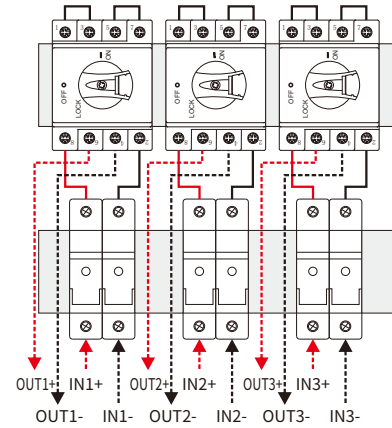
Model	EKDBS-PV6/6-I-1000	Quantity
Enclosure of Box	HA-26 ways	1
DC Isolator	EKD6-DB32-4S (4P, 32A)	6



3 String Input 3 String Output DC 1000V

DC Isolator Switch Box

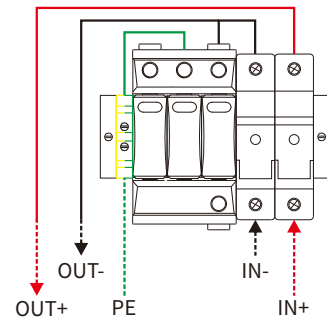
Model	EKDBS-PV2/2-ISM-600	Quantity
Enclosure of Box	HA-26 ways	1
DC Isolator	EKD6-DB32-4S (4P, 32A)	3
DC Fuse with Link	EKF1-10XPVH-10-1P (Max 32A 1000VDC)	6



1 String Input 1 String Output DC 1000V

DC MCB Breaker Box

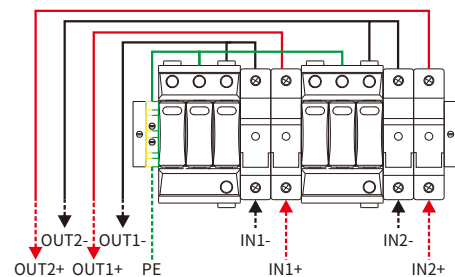
Model	EKDBS-PV1/1-FSM-1000	Quantity
Enclosure of Box	HA-8 ways	1
DC SPD	EKU5-T2-40PV-3M1000 (40kA, 3P, 1000VDC)	1
DC Fuse with Link	EKF1-10XPVH-10-1P (Max 32A 1000VDC)	2
MC4 connector	PV-EK03 (6mm ²)	2
	PV-EK01 (6mm ²)	2
Ground connector	PG9 (4-9mm ²)	1



2 String Input 2 String Output DC 1000V

DC MCB Breaker Box

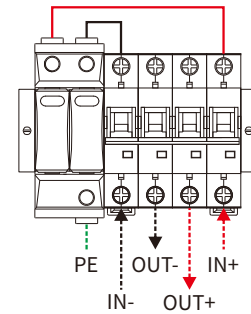
Model	EKDBS-PV2/2-FSM-1000	Quantity
Enclosure of Box	HA-12 ways	1
DC SPD	EKU5-T2-40PV-3M1000 (40kA, 3P, 1000VDC)	2
DC Fuse with Link	EKF1-10XPVH-10-1P (Max 32A 1000VDC)	4
MC4 connector	PV-EK03 (6mm ²)	4
	PV-EK01 (6mm ²)	4
Ground connector	PG9 (4-9mm ²)	1



1 String Input 1 String Output DC 600V

DC MCB Breaker Box

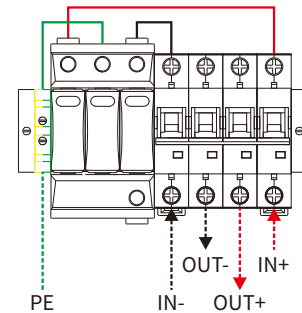
Model	EKDBS-PV1/1-BS-600	Quantity
Enclosure of Box	HA-8 ways	1
DC SPD	EKU5-T2-40PV-2M600 (40kA, 2P, 600VDC)	1
DC MCB	EKM1-63-432 (4P, 1000VDC, 32A)	1
PG connector	PG9 (4-9mm ²)	4
MC4 connector	PV-EK03 (6mm ²)	2
	PV-EK01 (6mm ²)	2
Ground connector	PG9 (4-9mm ²)	1



1 String Input 1 String Output DC 1000V

DC MCB Breaker Box

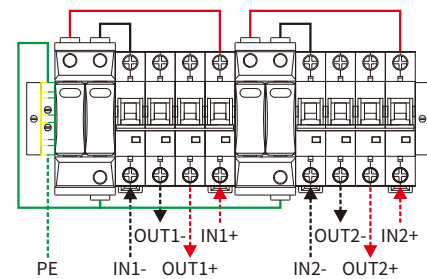
Model	EKDBS-PV1/1-BS-1000	Quantity
Enclosure of Box	HA-8 ways	1
DC SPD	EKU5-T2-40PV-3M1000 (40kA, 3P, 1000VDC)	1
DC MCB	EKM1-63-432 (4P, 1000VDC, 32A)	1
PG connector	PG9 (4-9mm ²)	4
MC4 connector	PV-EK03 (6mm ²)	2
	PV-EK01 (6mm ²)	2
Ground connector	PG9 (4-9mm ²)	1



2 String Input 2 String Output DC 600V

DC MCB Breaker Box

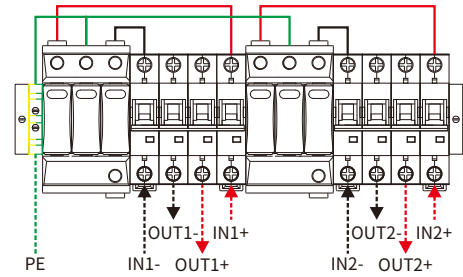
Model	EKDBS-PV1/1-BS-1000	Quantity
Enclosure of Box	HA-18 ways	1
DC SPD	EKU5-T2-40PV-2M600 (40kA, 2P, 600VDC)	2
DC MCB	EKM1-63-432 (4P, 1000VDC, 32A)	2
PG connector	PG9 (4-9mm ²)	8
MC4 connector	PV-EK03 (6mm ²)	4
	PV-EK01 (6mm ²)	4
Ground connector	PG9 (4-9mm ²)	1



2 String Input 2 String Output DC 1000V

DC MCB Breaker Box

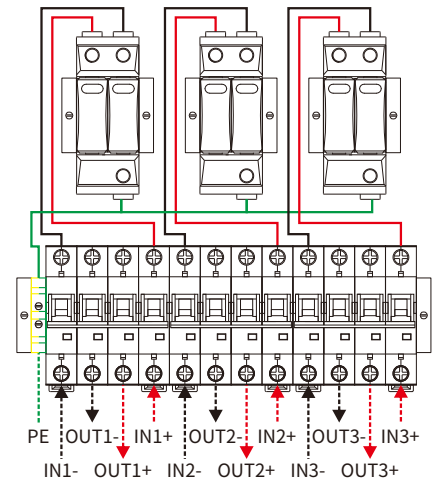
Model	EKDBS-PV2/2-BS-1000	Quantity
Enclosure of Box	HA-18 ways	1
DC SPD	EKU5-T2-40PV-3M1000 (40kA, 3P, 1000VDC)	2
DC MCB	EKM1-63-432 (4P, 1000VDC, 32A)	2
PG connector	PG9 (4-9mm ²)	8
MC4 connector	PV-EK03 (6mm ²)	4
	PV-EK01 (6mm ²)	4
Ground connector	PG9 (4-9mm ²)	1



3 String Input 3 String Output DC 600V

DC MCB Breaker Box

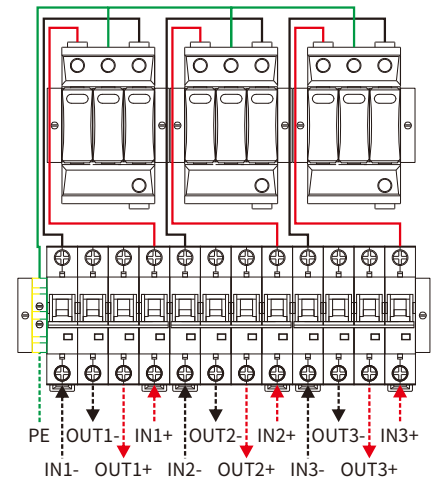
Model	EKDBS-PV3/3-BS-600	Quantity
Enclosure of Box	HA-26 ways	1
DC SPD	EKU5-T2-40PV-2M600 (40kA, 2P, 600VDC)	3
DC MCB	EKM1-63-432 (4P, 1000VDC, 32A)	3
PG connector	PG9 (4-9mm ²)	12
MC4 connector	PV-EK03 (6mm ²)	6
	PV-EK01 (6mm ²)	6
Ground connector	PG9 (4-9mm ²)	1



3 String Input 3 String Output DC 1000V

DC MCB Breaker Box

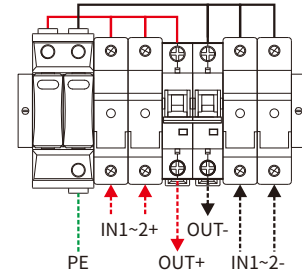
Model	EKDBS-PV3/3-BS-1000	Quantity
Enclosure of Box	HA-26 ways	1
DC SPD	EKU5-T2-40PV-3M1000 (40kA, 3P, 1000VDC)	3
DC MCB	EKM1-63-432 (4P, 1000VDC, 32A)	3
PG connector	PG9 (4-9mm ²)	12
MC4 connector	PV-EK03 (6mm ²)	6
	PV-EK01 (6mm ²)	6
Ground connector	PG9 (4-9mm ²)	1



2 String Input 1 String Output DC 500V

DC MCB Breaker Box

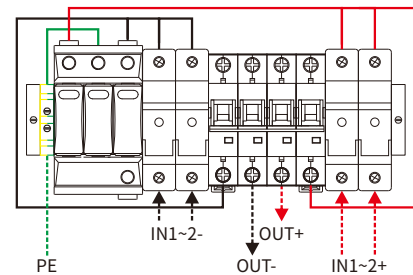
Model	EKDBS-PV2/1-FBS-600	Quantity
Enclosure of Box	HA-12 ways	1
DC SPD	EKU5-T2-40PV-2M600(40kA, 2P, 600VDC)	1
DC MCB	EKM1-63-232 (2P, 500VDC, 32A)	1
DC Fuse with Link	EKF1-10XPVH-10-1P(Max 15A 1000VDC)	4
PG connector	PG9 (4-9mm ²)	4
	PG21 (13-18mm)	1
MC4 connector	PV-EK03 (6mm ²)	3
	PV-EK01 (6mm ²)	3
Ground connector	PG9 (4-9mm ²)	1



2 String Input 1 String Output DC 1000V

DC MCB Breaker Box

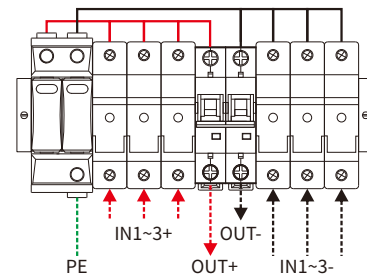
Model	EKDBS-PV2/1-FBS-1000	Quantity
Enclosure of Box	HA-12 ways	1
DC SPD	EKU5-T2-40PV-3M1000(40kA, 3P, 1000VDC)	1
DC MCB	EKM1-63-432 (4P, 1000VDC, 32A)	1
DC Fuse with Link	EKF1-10XPVH-10-1P(Max 15A 1000VDC)	4
PG connector	PG9 (4-9mm ²)	4
	PG21 (13-18mm)	1
MC4 connector	PV-EK03 (6mm ²)	3
	PV-EK01 (6mm ²)	3
Ground connector	PG9 (4-9mm ²)	1



3 String Input 1 String Output DC 500V

DC MCB Breaker Box

Model	EKDBS-PV3/1-FBS-500	Quantity
Enclosure of Box	HA-12 ways	1
DC SPD	EKU5-T2-40PV-2M600 (40kA, 2P, 600VDC)	1
DC MCB	EKM1-63-263 (2P, 500VDC, 63A)	1
DC Fuse with Link	EKF1-10XPVH-10-1P (Max 20A 1000VDC)	6
PG connector	PG9 (4-9mm ²)	6
	PG21 (13-18mm)	1
MC4 connector	PV-EK03 (6mm ²)	4
	PV-EK01 (6mm ²)	4
Ground connector	PG9 (4-9mm ²)	1

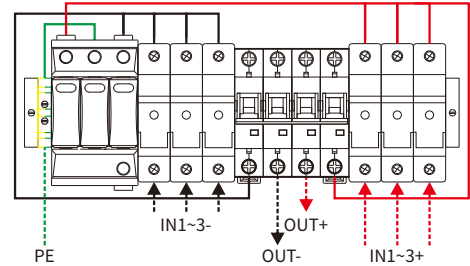


Solar DC Combiner Box

3 String Input 1 String Output DC 1000V

DC MCB Breaker Box

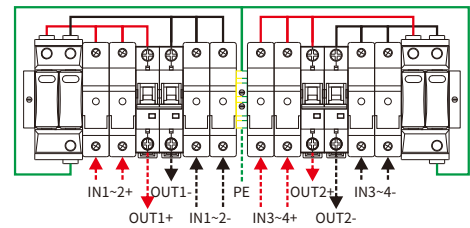
Model	EKDBS-PV3/1-FBS-1000	Quantity
Enclosure of Box	HA-12 ways	1
DC SPD	EKU5-T2-40PV-3M1000 (40kA, 3P, 1000VDC)	1
DC MCB	EKM1-63-463 (4P, 1000VDC, 63A)	1
DC Fuse with Link	EKF1-10XPVH-10-1P (Max 20A 1000VDC)	6
PG connector	PG9 (4-9mm ²)	6
	PG21 (13-18mm ²)	1
MC4 connector	PV-EK03 (6mm ²)	4
	PV-EK01 (6mm ²)	4
Ground connector	PG9 (4-9mm ²)	1



4 String Input 2 String Output DC 500V

DC MCB Breaker Box

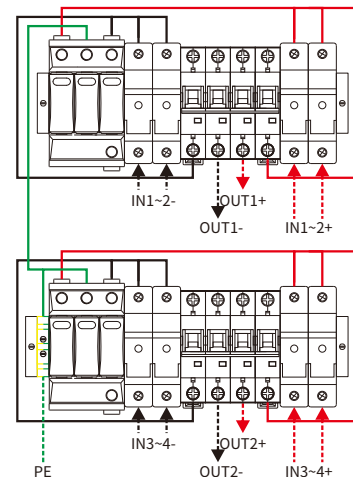
Model	EKDBS-PV4/2-FBS-500	Quantity
Enclosure of Box	HA-18 ways	1
DC SPD	EKU5-T2-40PV-2M600 (40kA, 2P, 600VDC)	2
DC MCB	EKM1-63-232 (2P, 500VDC, 32A)	2
DC Fuse with Link	EKF1-10XPVH-10-1P (Max 15A 1000VDC)	8
PG connector	PG9 (4-9mm ²)	8
	PG21 (13-18mm ²)	2
MC4 connector	PV-EK03 (6mm ²)	6
	PV-EK01 (6mm ²)	6
Ground connector	PG9 (4-9mm ²)	1



4 String Input 2 String Output DC 1000V

DC MCB Breaker Box

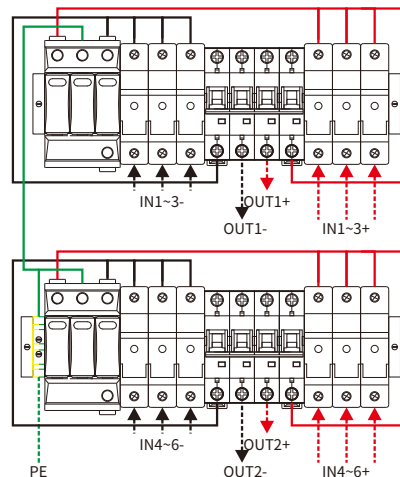
Model	EKDBS-PV4/2-FBS-1000	Quantity
Enclosure of Box	HA-26 ways	1
DC SPD	EKU5-T2-40PV-3M1000 (40kA, 3P, 1000VDC)	2
DC MCB	EKM1-63-432 (4P, 1000VDC, 32A)	2
DC Fuse with Link	EKF1-10XPVH-10-1P (Max 15A 1000VDC)	8
PG connector	PG9 (4-9mm ²)	8
	PG21 (13-18mm ²)	2
MC4 connector	PV-EK03 (6mm ²)	6
	PV-EK01 (6mm ²)	6
Ground connector	PG9 (4-9mm ²)	1



6 String Input 2 String Output DC 1000V

DC MCB Breaker Box

Model	EKDBS-PV2/1-FBS-1000	Quantity
Enclosure of Box	HA-26 ways	1
DC SPD	EKU5-T2-40PV-3M1000 (40kA, 3P, 1000VDC)	2
DC MCB	EKM1-63-463 (4P, 1000VDC, 63A)	2
DC Fuse with Link	EKF1-10XPVH-10-1P (Max 20A 1000VDC)	12
PG connector	PG9 (4-9mm ²)	12
	PG21 (13-18mm ²)	2
MC4 connector	PV-EK03 (6mm ²)	8
	PV-EK01 (6mm ²)	8
Ground connector	PG9 (4-9mm ²)	1





Overview

The EKDBT series photovoltaic DC combiner box is a metal casing with an IP65 protection level. It supports the merging of the DC inputs of up to 24 photovoltaic cell module strings into one or more outputs. It is suitable for residential, commercial, and Industrial photovoltaic power generation systems operating under 1000V, 1500V DC voltage.

This series of products integrates short-circuit and over-voltage protection devices such as DC circuit breakers, fuses, isolator switches, surge protectors, etc., which simplifies the input wiring of DC distribution cabinets and inverters, ensuring the safety of the photovoltaic power generation system, reliable operation.

Here we only list some of the combiner box configuration types on the market. If there are special needs, they can be customized according to the user's needs.

Model Preparation Meaning

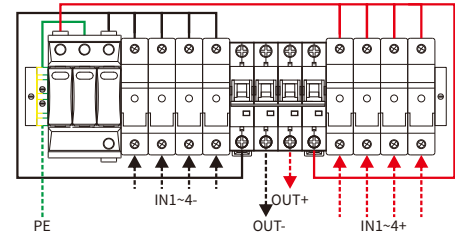
Code name	Meaning	Code name	Meaning
①	ETEK	⑤	Blank: without F: Fuse S: SPD C: Cable Gland I: Isolator B: Breaker M: MC4
②	DBS: plastic box; DBT: metal box	⑥	500: 500V 1000: 1000V 600: 600V 1500: 1500V
③	PV: General photovoltaic sites PVZ: Photovoltaic power station		
④	String in/String out: 1/1, 2/1, 3/1 ... 24/1		

Solar DC Combiner Box

4 String Input 1 String Output DC 1000V

DC MCB Breaker Box

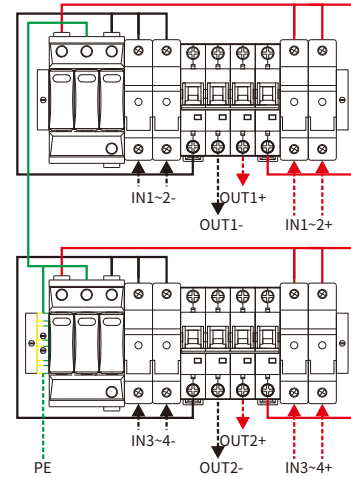
Model	EKDBT-PV4/1-FBS-1000	Quantity
Enclosure of Box	440×400×180mm	1
DC SPD	EKU5-T2-40PV-3M1000 (40kA, 3P, 1000VDC)	1
DC MCB	EKM1-63-463 (4P, 1000VDC, 63A)	1
DC Fuse with Link	EKF1-10XPVH-10-1P (Max 15A 1000VDC)	8
PG connector	PG9 (4-9mm ²)	8
	PG21 (13-18mm ²)	2
MC4 connector	PV-EK03 (6mm ²)	5
	PV-EK01 (6mm ²)	5
Ground connector	PG9 (4-9mm ²)	1



4 String Input 2 String Output DC 1000V

DC MCB Breaker Box

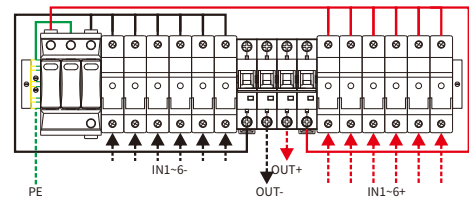
Model	EKDBT-PV4/2-FBS-1000	Quantity
Enclosure of Box	440×400×180mm	1
DC SPD	EKU5-T2-40PV-3M1000 (40kA, 3P, 1000VDC)	2
DC MCB	EKM1-63-432 (4P, 1000VDC, 32A)	2
DC Fuse with Link	EKF1-10XPVH-10-1P (Max 15A 1000VDC)	8
PG connector	PG9 (4-9mm ²)	8
	PG21 (13-18mm ²)	2
MC4 connector	PV-EK03 (6mm ²)	6
	PV-EK01 (6mm ²)	6
Ground connector	PG9 (4-9mm ²)	1



6 String Input 1 String Output DC 1000V

DC MCB Breaker Box

Model	EKDBT-PV6/1-FBS-1000	Quantity
Enclosure of Box	440×400×180mm	1
DC SPD	EKU5-T2-40PV-3M1000 (40kA, 3P, 1000VDC)	1
DC MCB	EKM1-63-463 (4P, 1000VDC, 63A)	1
DC Fuse with Link	EKF1-10XPVH-10-1P (Max 10A 1000VDC)	12
PG connector	PG9 (4-9mm ²)	12
	PG21 (13-18mm ²)	2
MC4 connector	PV-EK03 (6mm ²)	7
	PV-EK01 (6mm ²)	7
Ground connector	PG9 (4-9mm ²)	1

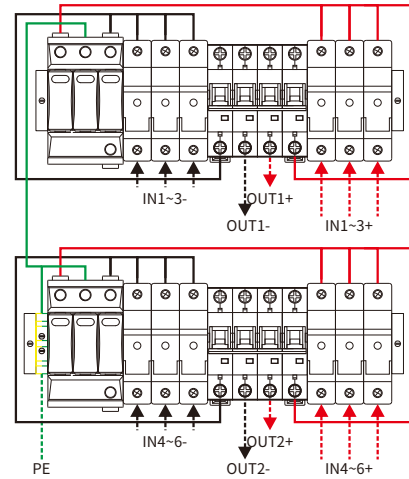


Solar DC Combiner Box

6 String Input 2 String Output DC 1000V

DC MCB Breaker Box

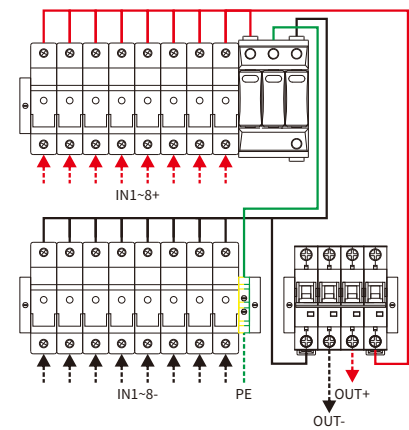
Model	EKDBT-PV6/2-FBS-1000	Quantity
Enclosure of Box	440×400×180mm	1
DC SPD	EKU5-T2-40PV-3M1000 (40kA, 3P, 1000VDC)	2
DC MCB	EKM1-63-463 (4P, 1000VDC, 63A)	2
DC Fuse with Link	EKF1-10XPVH-10-1P (Max 20A 1000VDC)	12
PG connector	PG9 (4-9mm ²)	12
	PG21 (13-18mm ²)	2
MC4 connector	PV-EK03 (6mm ²)	8
	PV-EK01 (6mm ²)	8
Ground connector	PG9 (4-9mm ²)	1



8 String Input 1 String Output DC 1000V

DC MCB Breaker Box

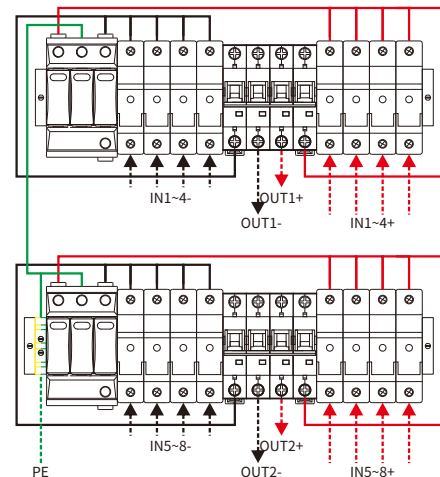
Model	EKDBT-PV8/1-FBS-1000	Quantity
Enclosure of Box	440×400×180mm	1
DC SPD	EKU5-T2-40PV-3M1000 (40kA, 3P, 1000VDC)	1
DC MCB	EKM1-63-463 (4P, 1000VDC, 63A)	1
DC Fuse with Link	EKF1-10XPVH-10-1P (Max 8A 1000VDC)	16
PG connector	PG9 (4-9mm ²)	16
	PG21 (13-18mm ²)	2
MC4 connector	PV-EK03 (6mm ²)	9
	PV-EK01 (6mm ²)	9
Ground connector	PG9 (4-9mm ²)	1



8 String Input 2 String Output DC 1000V

DC MCB Breaker Box

Model	EKDBT-PV8/2-FBS-1000	Quantity
Enclosure of Box	440×400×180mm	1
DC SPD	EKU5-T2-40PV-3M1000 (40kA, 3P, 1000VDC)	2
DC MCB	EKM1-63-463 (4P, 1000VDC, 63A)	2
DC Fuse with Link	EKF1-10XPVH-10-1P (Max 15A 1000VDC)	16
PG connector	PG9 (4-9mm ²)	16
	PG21 (13-18mm ²)	2
MC4 connector	PV-EK03 (6mm ²)	10
	PV-EK01 (6mm ²)	10
Ground connector	PG9 (4-9mm ²)	1

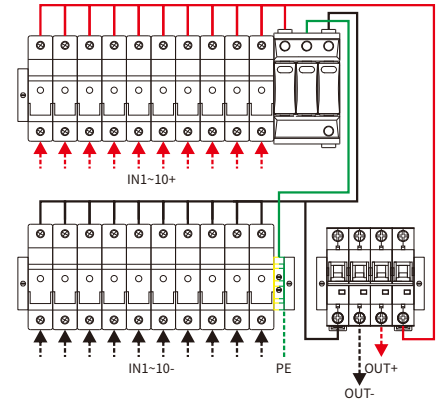


Solar DC Combiner Box

10 String Input 1 String Output DC 1000V

DC MCB Breaker Box

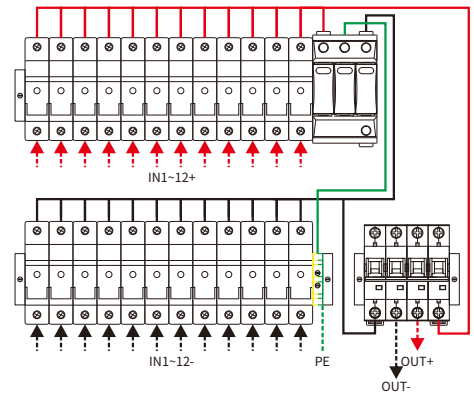
Model	EKDBT-PV10/1-FBS-1000	Quantity
Enclosure of Box	440×400×180mm	1
DC SPD	EKU5-T2-40PV-3M1000 (40kA, 3P, 1000VDC)	1
DC MCB	EKM1-63-463 (4P, 1000VDC, 63A)	1
DC Fuse with Link	EKF1-10XPVH-10-1P (Max 6A 1000VDC)	20
PG connector	PG9 (4-9mm ²)	20
	PG21 (13-18mm ²)	2
MC4 connector	PV-EK03 (6mm ²)	11
	PV-EK01 (6mm ²)	11
Ground connector	PG9 (4-9mm ²)	1



12 String Input 1 String Output DC 1000V

DC MCB Breaker Box

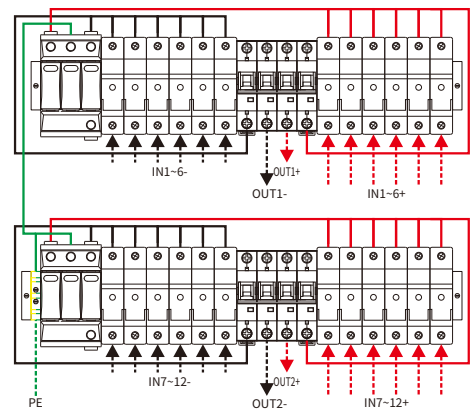
Model	EKDBT-PV12/1-FBS-1000	Quantity
Enclosure of Box	440×400×180mm	1
DC SPD	EKU5-T2-40PV-3M1000 (40kA, 3P, 1000VDC)	1
DC MCB	EKM1-63-463 (4P, 1000VDC, 63A)	1
DC Fuse with Link	EKF1-10XPVH-10-1P (Max 5A 1000VDC)	24
PG connector	PG9 (4-9mm ²)	24
	PG21 (13-18mm ²)	2
MC4 connector	PV-EK03 (6mm ²)	13
	PV-EK01 (6mm ²)	13
Ground connector	PG9 (4-9mm ²)	1



12 String Input 2 String Output DC 1000V

DC MCB Breaker Box

Model	EKDBT-PV12/2-FBS-1000	Quantity
Enclosure of Box	440×400×180mm	1
DC SPD	EKU5-T2-40PV-3M1000 (40kA, 3P, 1000VDC)	2
DC MCB	EKM1-63-463 (4P, 1000VDC, 63A)	2
DC Fuse with Link	EKF1-10XPVH-10-1P (Max 10A 1000VDC)	24
PG connector	PG9 (4-9mm ²)	24
	PG21 (13-18mm ²)	2
MC4 connector	PV-EK03 (6mm ²)	14
	PV-EK01 (6mm ²)	14
Ground connector	PG9 (4-9mm ²)	1

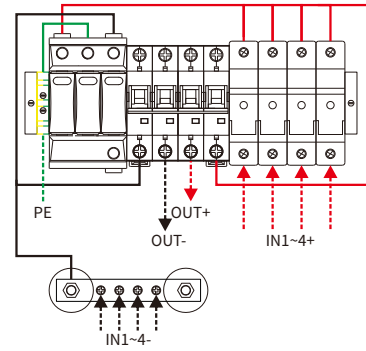


Solar DC Combiner Box

4 String Input 1 String Output DC 1000V

DC MCB Breaker Box

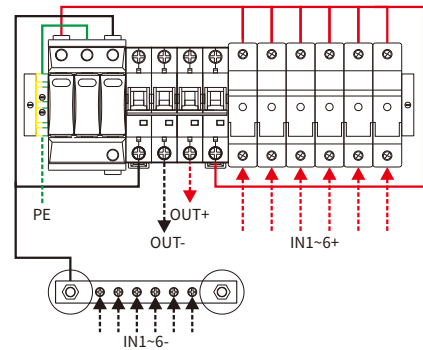
Model	EKDBT-PV4/1-FBS-1000	Quantity
Enclosure of Box	440×400×180mm	1
DC SPD	EKU5-T2-40PV-3M1000 (40kA, 3P, 1000VDC)	2
DC MCB	EKM1-63-432 (4P, 1000VDC, 32A)	2
DC Fuse with Link	EKF1-10XPVH-10-1P (Max 15A 1000VDC)	4
PG connector	PG9 (4-9mm ²)	8
	PG21 (13-18mm ²)	2
MC4 connector	PV-EK03 (6mm ²)	5
	PV-EK01 (6mm ²)	5
Ground connector	PG9 (4-9mm ²)	1



6 String Input 1 String Output DC 1000V

DC MCB Breaker Box

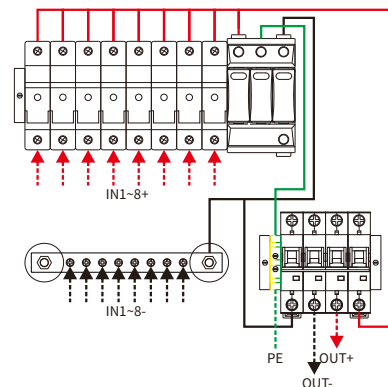
Model	EKDBT-PV6/1-FBS-1000	Quantity
Enclosure of Box	440×400×180mm	1
DC SPD	EKU5-T2-40PV-3M1000 (40kA, 3P, 1000VDC)	1
DC MCB	EKM1-63-463 (4P, 1000VDC, 63A)	1
DC Fuse with Link	EKF1-10XPVH-10-1P (Max 10A 1000VDC)	6
PG connector	PG9 (4-9mm ²)	12
	PG21 (13-18mm ²)	2
MC4 connector	PV-EK03 (6mm ²)	7
	PV-EK01 (6mm ²)	7
Ground connector	PG9 (4-9mm ²)	1



8 String Input 1 String Output DC 1000V

DC MCB Breaker Box

Model	EKDBT-PV8/1-FBS-1000	Quantity
Enclosure of Box	440×400×180mm	1
DC SPD	EKU5-T2-40PV-3M1000 (40kA, 3P, 1000VDC)	1
DC MCB	EKM1-63-463 (4P, 1000VDC, 63A)	1
DC Fuse with Link	EKF1-10XPVH-10-1P (Max 8A 1000VDC)	8
PG connector	PG9 (4-9mm ²)	16
	PG21 (13-18mm ²)	2
MC4 connector	PV-EK03 (6mm ²)	9
	PV-EK01 (6mm ²)	9
Ground connector	PG9 (4-9mm ²)	1

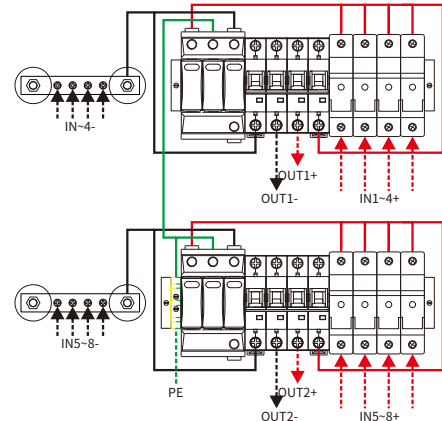


Solar DC Combiner Box

8 String Input 2 String Output DC 1000V

DC MCB Breaker Box

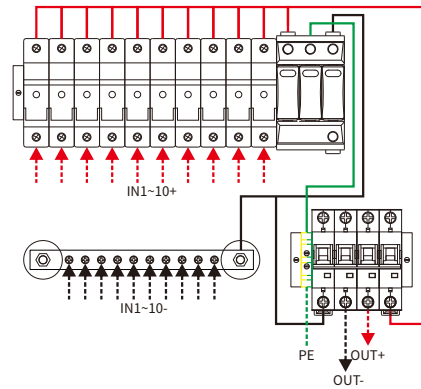
Model	EKDBT-PV8/2-FBS-1000	Quantity
Enclosure of Box	440×400×180mm	1
DC SPD	EKU5-T2-40PV-3M1000 (40kA, 3P, 1000VDC)	2
DC MCB	EKM1-63-463 (4P, 1000VDC, 63A)	2
DC Fuse with Link	EKF1-10XPVH-10-1P (Max 15A 1000VDC)	8
PG connector	PG9 (4-9mm ²)	16
	PG21 (13-18mm ²)	2
MC4 connector	PV-EK03 (6mm ²)	10
	PV-EK01 (6mm ²)	10
Ground connector	PG9 (4-9mm ²)	1



10 String Input 1 String Output DC 1000V

DC MCB Breaker Box

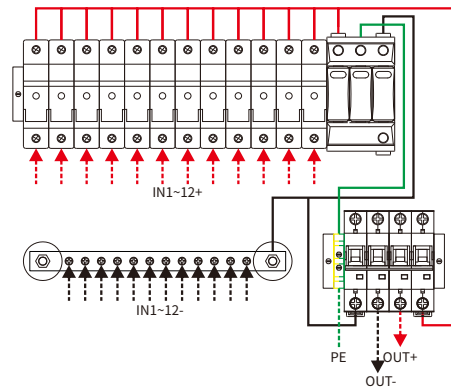
Model	EKDBT-PV10/1-FBS-1000	Quantity
Enclosure of Box	440×400×180mm	1
DC SPD	EKU5-T2-40PV-3M1000 (40kA, 3P, 1000VDC)	1
DC MCB	EKM1-63-463 (4P, 1000VDC, 63A)	1
DC Fuse with Link	EKF1-10XPVH-10-1P (Max 6A 1000VDC)	10
PG connector	PG9 (4-9mm ²)	20
	PG21 (13-18mm ²)	2
MC4 connector	PV-EK03 (6mm ²)	11
	PV-EK01 (6mm ²)	11
Ground connector	PG9 (4-9mm ²)	1



12 String Input 1 String Output DC 1000V

DC MCB Breaker Box

Model	EKDBT-PV12/1-FBS-1000	Quantity
Enclosure of Box	440×400×180mm	1
DC SPD	EKU5-T2-40PV-3M1000 (40kA, 3P, 1000VDC)	1
DC MCB	EKM1-63-463 (4P, 1000VDC, 63A)	1
DC Fuse with Link	EKF1-10XPVH-10-1P (Max 5A 1000VDC)	12
PG connector	PG9 (4-9mm ²)	24
	PG21 (13-18mm ²)	2
MC4 connector	PV-EK03 (6mm ²)	13
	PV-EK01 (6mm ²)	13
Ground connector	PG9 (4-9mm ²)	1

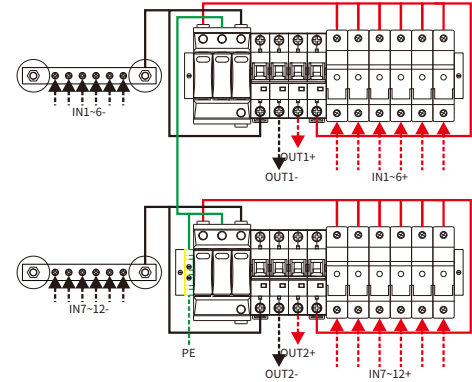


Solar DC Combiner Box

12 String Input 2 String Output DC 1000V

DC MCB Breaker Box

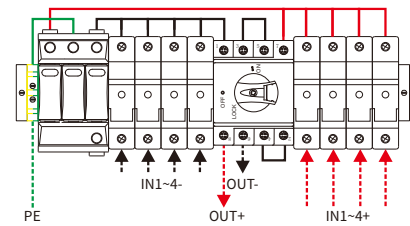
Model	EKDBT-PV12/2-FBS-1000	Quantity
Enclosure of Box	440×400×180mm	1
DC SPD	EKU5-T2-40PV-3M1000 (40kA, 3P, 1000VDC)	2
DC MCB	EKM1-63-463 (4P, 1000VDC, 63A)	2
DC Fuse with Link	EKF1-10XPVH-10-1P (Max 10A 1000VDC)	12
PG connector	PG9 (4-9mm ²)	24
	PG21 (13-18mm ²)	2
MC4 connector	PV-EK03 (6mm ²)	14
	PV-EK01 (6mm ²)	14
Ground connector	PG9 (4-9mm ²)	1



4 String Input 1 String Output DC 1000V

DC Isolator Switch Box

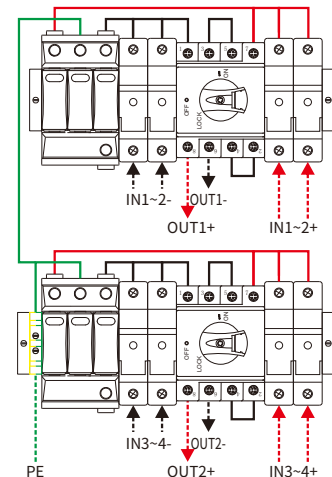
Model	EKDBT-PV4/1-IFS-1000	Quantity
Enclosure of Box	440×400×180mm	1
DC SPD	EKU5-T2-40PV-3M1000 (40kA, 3P, 1000VDC)	1
DC Isolator	EKD6-DB32-4S (4P, 32A)	1
DC Fuse with Link	EKF1-10XPVH-10-1P (Max 8A 1000VDC)	8
PG connector	PG9 (4-9mm ²)	8
	PG21 (13-18mm ²)	2
MC4 connector	PV-EK03 (6mm ²)	5
	PV-EK01 (6mm ²)	5
Ground connector	PG9 (4-9mm ²)	1



4 String Input 2 String Output DC 1000V

DC Isolator Switch Box

Model	EKDBT-PV4/2-IFS-1000	Quantity
Enclosure of Box	440×400×180mm	1
DC SPD	EKU5-T2-40PV-3M1000 (40kA, 3P, 1000VDC)	2
DC Isolator	EKD6-DB32-4S (4P, 32A)	2
DC Fuse with Link	EKF1-10XPVH-10-1P (Max 15A 1000VDC)	8
PG connector	PG9 (4-9mm ²)	8
	PG21 (13-18mm ²)	2
MC4 connector	PV-EK03 (6mm ²)	6
	PV-EK01 (6mm ²)	6
Ground connector	PG9 (4-9mm ²)	1

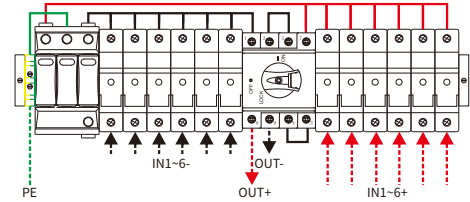


Solar DC Combiner Box

6 String Input 1 String Output DC 1000V

DC Isolator Switch Box

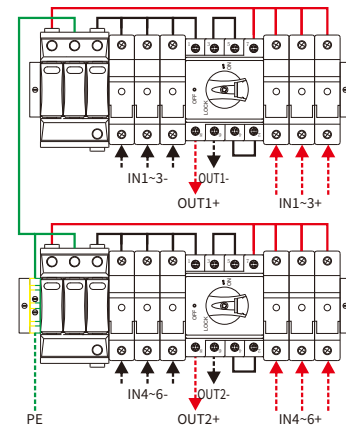
Model	EKDBT-PV6/1-IFS-1000	Quantity
Enclosure of Box	440×400×180mm	1
DC SPD	EKU5-T2-40PV-3M1000 (40kA, 3P, 1000VDC)	1
DC Isolator	EKD6-DB32-4S (4P, 32A)	1
DC Fuse with Link	EKF1-10XPVH-10-1P (Max 5A 1000VDC)	12
PG connector	PG9 (4-9mm ²)	12
	PG21 (13-18mm ²)	2
MC4 connector	PV-EK03 (6mm ²)	7
	PV-EK01 (6mm ²)	7
Ground connector	PG9 (4-9mm ²)	1



6 String Input 2 String Output DC 1000V

DC Isolator Switch Box

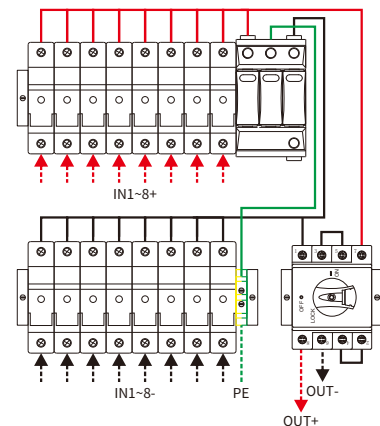
Model	EKDBT-PV6/2-IFS-1000	Quantity
Enclosure of Box	440×400×180mm	1
DC SPD	EKU5-T2-40PV-3M1000 (40kA, 3P, 1000VDC)	2
DC Isolator	EKD6-DB32-4S (4P, 32A)	2
DC Fuse with Link	EKF1-10XPVH-10-1P (Max 10A 1000VDC)	12
PG connector	PG9 (4-9mm ²)	12
	PG21 (13-18mm ²)	2
MC4 connector	PV-EK03 (6mm ²)	8
	PV-EK01 (6mm ²)	8
Ground connector	PG9 (4-9mm ²)	1



8 String Input 1 String Output DC 1000V

DC Isolator Switch Box

Model	EKDBT-PV8/1-IFS-1000	Quantity
Enclosure of Box	440×400×180mm	1
DC SPD	EKU5-T2-40PV-3M1000 (40kA, 3P, 1000VDC)	1
DC Isolator	EKD6-DB32-4S (4P, 32A)	1
DC Fuse with Link	EKF1-10XPVH-10-1P (Max 4A 1000VDC)	16
PG connector	PG9 (4-9mm ²)	16
	PG21 (13-18mm ²)	2
MC4 connector	PV-EK03 (6mm ²)	9
	PV-EK01 (6mm ²)	9
Ground connector	PG9 (4-9mm ²)	1

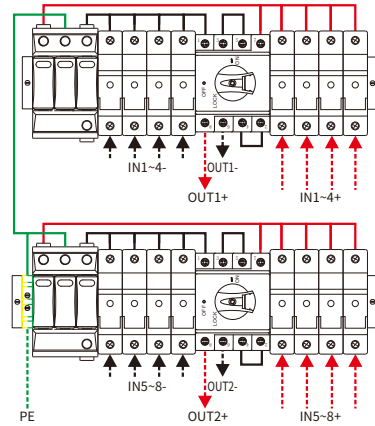


Solar DC Combiner Box

8 String Input 2 String Output DC 1000V

DC Isolator Switch Box

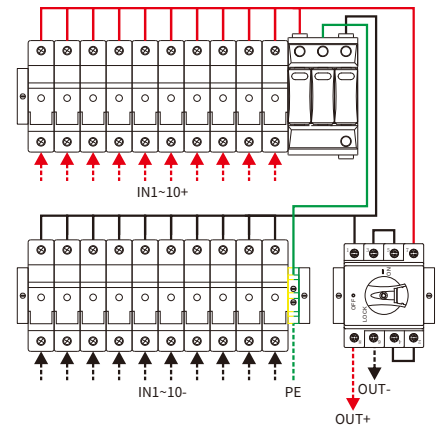
Model	EKDBT-PV8/2-IFS-1000	Quantity
Enclosure of Box	440×400×180mm	1
DC SPD	EKU5-T2-40PV-3M1000 (40kA, 3P, 1000VDC)	2
DC Isolator	EKD6-DB32-4S (4P, 32A)	2
DC Fuse with Link	EKF1-10XPVH-10-1P (Max 8A 1000VDC)	16
PG connector	PG9 (4-9mm ²)	16
	PG21 (13-18mm ²)	2
MC4 connector	PV-EK03 (6mm ²)	10
	PV-EK01 (6mm ²)	10
Ground connector	PG9 (4-9mm ²)	1



10 String Input 1 String Output DC 1000V

DC Isolator Switch Box

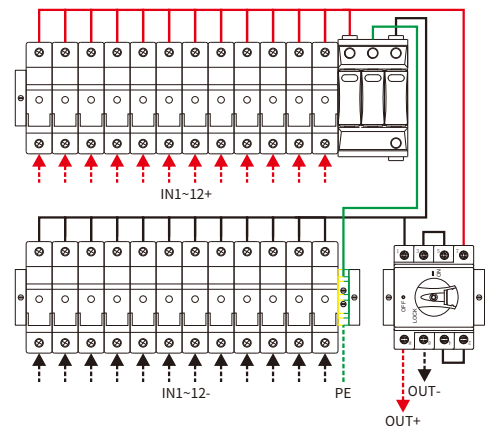
Model	EKDBT-PV10/1-IFS-1000	Quantity
Enclosure of Box	440×400×180mm	1
DC SPD	EKU5-T2-40PV-3M1000 (40kA, 3P, 1000VDC)	1
DC Isolator	EKD6-DB32-4S (4P, 32A)	1
DC Fuse with Link	EKF1-10XPVH-10-1P (Max 3A 1000VDC)	20
PG connector	PG9 (4-9mm ²)	20
	PG21 (13-18mm ²)	2
MC4 connector	PV-EK03 (6mm ²)	11
	PV-EK01 (6mm ²)	11
Ground connector	PG9 (4-9mm ²)	1



12 String Input 1 String Output DC 1000V

DC Isolator Switch Box

Model	EKDBT-PV12/1-IFS-1000	Quantity
Enclosure of Box	440×400×180mm	1
DC SPD	EKU5-T2-40PV-3M1000 (40kA, 3P, 1000VDC)	1
DC Isolator	EKD6-DB32-4S (4P, 32A)	1
DC Fuse with Link	EKF1-10XPVH-10-1P (Max 2A 1000VDC)	24
PG connector	PG9 (4-9mm ²)	24
	PG21 (13-18mm ²)	2
MC4 connector	PV-EK03 (6mm ²)	13
	PV-EK01 (6mm ²)	13
Ground connector	PG9 (4-9mm ²)	1

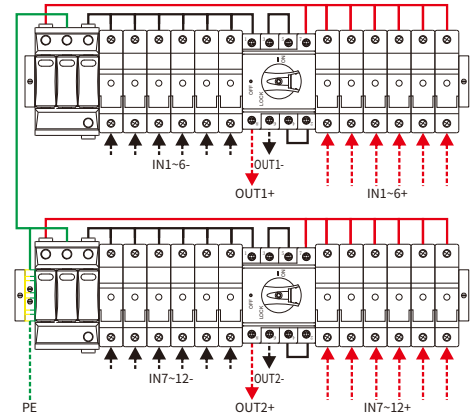


Solar DC Combiner Box

12 String Input 2 String Output DC 1000V

DC Isolator Switch Box

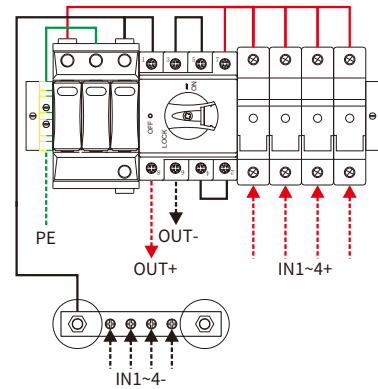
Model	EKDBT-PV12/2-IFS-1000	Quantity
Enclosure of Box	440×400×180mm	1
DC SPD	EKU5-T2-40PV-3M1000 (40kA, 3P, 1000VDC)	2
DC Isolator	EKD6-DB32-4S (4P, 32A)	2
DC Fuse with Link	EKF1-10XPVH-10-1P (Max 5A 1000VDC)	24
PG connector	PG9 (4-9mm ²)	24
	PG21 (13-18mm ²)	2
MC4 connector	PV-EK03 (6mm ²)	14
	PV-EK01 (6mm ²)	14
Ground connector	PG9 (4-9mm ²)	1



4 String Input 1 String Output DC 1000V

DC Isolator Switch Box

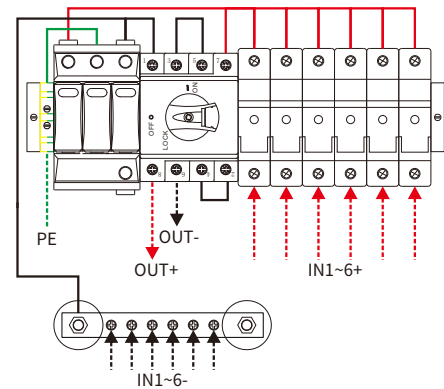
Model	EKDBT-PV4/1-IFS-1000	Quantity
Enclosure of Box	440×400×180mm	1
DC SPD	EKU5-T2-40PV-3M1000 (40kA, 3P, 1000VDC)	1
DC Isolator	EKD6-DB32-4S (4P, 32A)	1
DC Fuse with Link	EKF1-10XPVH-10-1P (Max 8A 1000VDC)	4
PG connector	PG9 (4-9mm ²)	8
	PG21 (13-18mm ²)	2
MC4 connector	PV-EK03 (6mm ²)	5
	PV-EK01 (6mm ²)	5
Ground connector	PG9 (4-9mm ²)	1



6 String Input 1 String Output DC 1000V

DC Isolator Switch Box

Model	EKDBT-PV6/1-IFS-1000	Quantity
Enclosure of Box	440×400×180mm	1
DC SPD	EKU5-T2-40PV-3M1000 (40kA, 3P, 1000VDC)	1
DC Isolator	EKD6-DB32-4S (4P, 32A)	1
DC Fuse with Link	EKF1-10XPVH-10-1P (Max 5A 1000VDC)	6
PG connector	PG9 (4-9mm ²)	12
	PG21 (13-18mm ²)	2
MC4 connector	PV-EK03 (6mm ²)	7
	PV-EK01 (6mm ²)	7
Ground connector	PG9 (4-9mm ²)	1

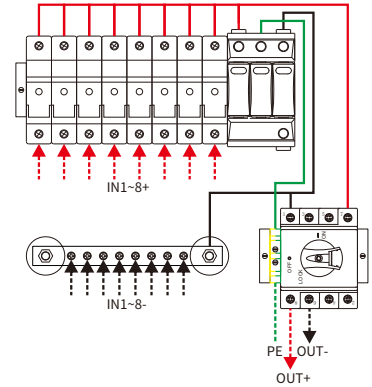


Solar DC Combiner Box

8 String Input 1 String Output DC 1000V

DC Isolator Switch Box

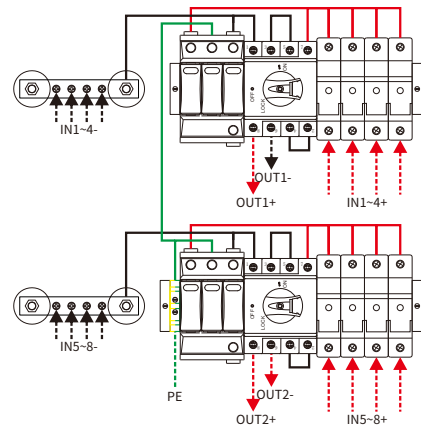
Model	EKDBT-PV8/1-IFS-1000	Quantity
Enclosure of Box	440×400×180mm	1
DC SPD	EKU5-T2-40PV-3M1000 (40kA, 3P, 1000VDC)	1
DC Isolator	EKD6-DB32-4S (4P, 32A)	1
DC Fuse with Link	EKF1-10XPVH-10-1P (Max 4A 1000VDC)	8
PG connector	PG9 (4-9mm ²)	16
	PG21 (13-18mm ²)	2
MC4 connector	PV-EK03 (6mm ²)	9
	PV-EK01 (6mm ²)	9
Ground connector	PG9 (4-9mm ²)	1



8 String Input 2 String Output DC 1000V

DC Isolator Switch Box

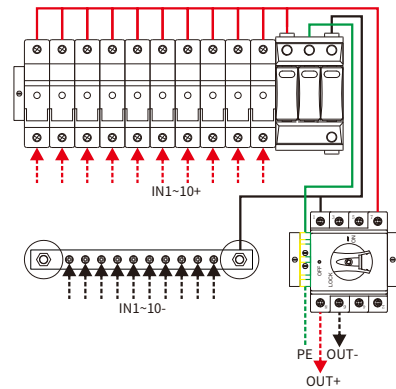
Model	EKDBT-PV8/2-IFS-1000	Quantity
Enclosure of Box	440×400×180mm	1
DC SPD	EKU5-T2-40PV-3M1000 (40kA, 3P, 1000VDC)	2
DC Isolator	EKD6-DB32-4S (4P, 32A)	2
DC Fuse with Link	EKF1-10XPVH-10-1P (Max 8A 1000VDC)	8
PG connector	PG9 (4-9mm ²)	16
	PG21 (13-18mm ²)	2
MC4 connector	PV-EK03 (6mm ²)	10
	PV-EK01 (6mm ²)	10
Ground connector	PG9 (4-9mm ²)	1



10 String Input 1 String Output DC 1000V

DC Isolator Switch Box

Model	EKDBT-PV10/1-IFS-1000	Quantity
Enclosure of Box	440×400×180mm	1
DC SPD	EKU5-T2-40PV-3M1000(40kA, 3P, 1000VDC)	1
DC Isolator	EKD6-DB32-4S (4P, 32A)	1
DC Fuse with Link	EKF1-10XPVH-10-1P (Max 3A 1000VDC)	10
PG connector	PG9 (4-9mm ²)	20
	PG21 (13-18mm ²)	2
MC4 connector	PV-EK03 (6mm ²)	12
	PV-EK01 (6mm ²)	12
Ground connector	PG9 (4-9mm ²)	1

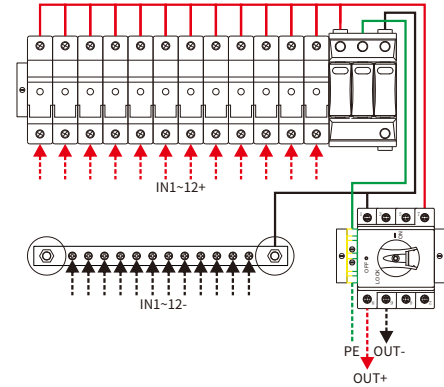


Solar DC Combiner Box

12 String Input 1 String Output DC 1000V

DC Isolator Switch Box

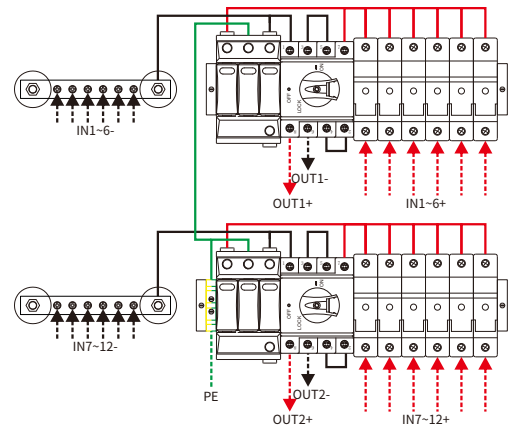
Model	EKDBT-PV12/1-IFS-1000	Quantity
Enclosure of Box	440×400×180mm	1
DC SPD	EKU5-T2-40PV-3M1000 (40kA, 3P, 1000VDC)	1
DC Isolator	EKD6-DB32-4S (4P, 32A)	1
DC Fuse with Link	EKF1-10XPVH-10-1P (Max 2A 1000VDC)	12
PG connector	PG9 (4-9mm ²)	24
	PG21 (13-18mm ²)	2
MC4 connector	PV-EK03 (6mm ²)	13
	PV-EK01 (6mm ²)	13
Ground connector	PG9 (4-9mm ²)	1



12 String Input 2 String Output DC 1000V

DC Isolator Switch Box

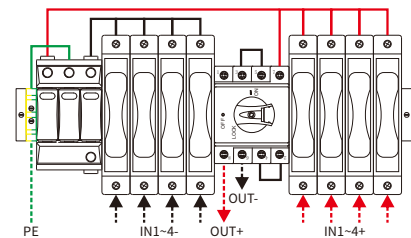
Model	EKDBT-PV12/2-IFS-1000	Quantity
Enclosure of Box	440×400×180mm	1
DC SPD	EKU5-T2-40PV-3M1000 (40kA, 3P, 1000VDC)	2
DC Isolator	EKD6-DB32-4S (4P, 32A)	2
DC Fuse with Link	EKF1-10XPVH-10-1P (Max 5A 1000VDC)	12
PG connector	PG9 (4-9mm ²)	24
	PG21 (13-18mm ²)	2
MC4 connector	PV-EK03 (6mm ²)	14
	PV-EK01 (6mm ²)	14
Ground connector	PG9 (4-9mm ²)	1



4 String Input 1 String Output DC 1500V

DC Isolator Switch Box

Model	EKDBT-PV4/1-IFS-1500	Quantity
Enclosure of Box	440×400×180mm	1
DC SPD	EKU5-T2-40PV-3M1500 (40kA, 3P, 1500VDC)	1
DC Isolator	EKD6-DB32-4S (4P, 32A)	1
DC Fuse with Link	EKF1-15PVH-10L-1P (Max 6A 1500VDC)	8
PG connector	PG9 (4-9mm ²)	8
	PG21 (13-18mm ²)	2
MC4 connector	PV-EK04 (6mm ²)	5
	PV-EK05 (6mm ²)	5
Ground connector	PG9 (4-9mm ²)	1

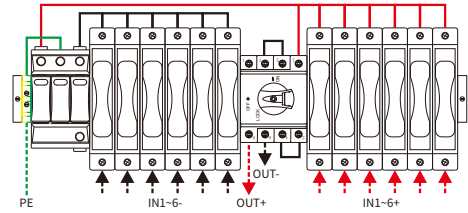


Solar DC Combiner Box

6 String Input 1 String Output DC 1500V

DC Isolator Switch Box

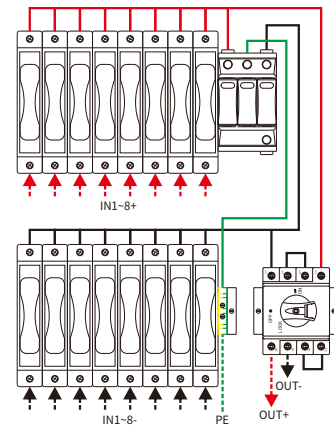
Model	EKDBT-PV6/1-IFS-1500	Quantity
Enclosure of Box	500×400×180mm	1
DC SPD	EKU5-T2-40PV-3M1500 (40kA, 3P, 1500VDC)	1
DC Isolator	EKD6-DB32-4S (4P, 32A)	1
DC Fuse with Link	EKF1-15PVH-10L-1P (Max 4A 1500VDC)	12
PG connector	PG9 (4-9mm ²)	12
	PG21 (13-18mm ²)	2
MC4 connector	PV-EK04 (6mm ²)	7
	PV-EK05 (6mm ²)	7
Ground connector	PG9 (4-9mm ²)	1



8 String Input 1 String Output DC 1500V

DC Isolator Switch Box

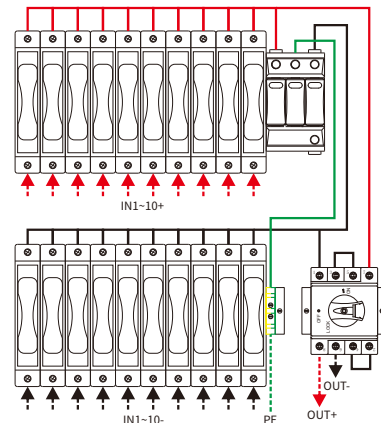
Model	EKDBT-PV8/1-IFS-1500	Quantity
Enclosure of Box	600×460×180mm	1
DC SPD	EKU5-T2-40PV-3M1500 (40kA, 3P, 1500VDC)	1
DC Isolator	EKD6-DB32-4S (4P, 32A)	1
DC Fuse with Link	EKF1-15PVH-10L-1P (Max 3A 1500VDC)	16
PG connector	PG9 (4-9mm ²)	16
	PG21 (13-18mm ²)	2
MC4 connector	PV-EK04 (6mm ²)	9
	PV-EK05 (6mm ²)	9
Ground connector	PG9 (4-9mm ²)	1



10 String Input 1 String Output DC 1500V

DC Isolator Switch Box

Model	EKDBT-PV10/1-IFS-1500	Quantity
Enclosure of Box	600×460×180mm	1
DC SPD	EKU5-T2-40PV-3M1500 (40kA, 3P, 1500VDC)	1
DC Isolator	EKD6-DB32-4S (4P, 32A)	1
DC Fuse with Link	EKF1-15PVH-10L-1P (Max 8A 1500VDC)	20
PG connector	PG9 (4-9mm ²)	20
	PG21 (13-18mm ²)	2
MC4 connector	PV-EK04 (6mm ²)	11
	PV-EK05 (6mm ²)	11
Ground connector	PG9 (4-9mm ²)	1

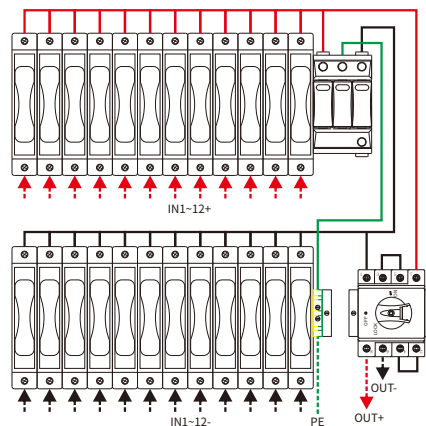


Solar DC Combiner Box

12 String Input 1 String Output DC 1500V

DC Isolator Switch Box

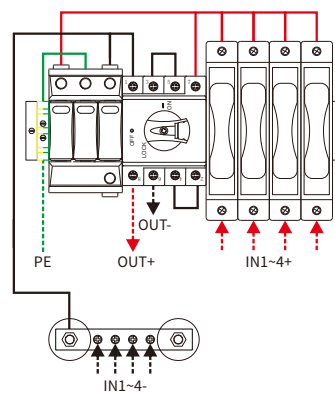
Model	EKDBT-PV12/1-IFS-1500	Quantity
Enclosure of Box	600×460×180mm	1
DC SPD	EKU5-T2-40PV-3M1500 (40kA, 3P, 1500VDC)	1
DC Isolator	EKD6-DB32-4S (4P, 32A)	1
DC Fuse with Link	EKF1-15PVH-10L-1P (Max 2A 1500VDC)	24
PG connector	PG9 (4-9mm ²)	24
	PG21 (13-18mm ²)	2
MC4 connector	PV-EK04 (6mm ²)	13
	PV-EK05 (6mm ²)	13
Ground connector	PG9 (4-9mm ²)	1



4 String Input 1 String Output DC 1500V

DC Isolator Switch Box

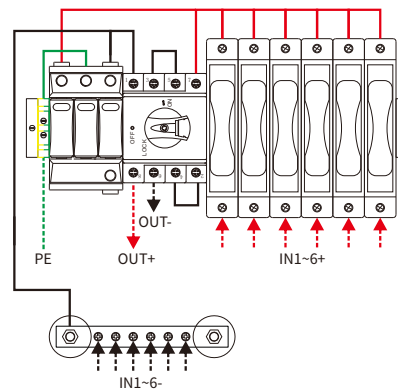
Model	EKDBT-PV4/1-IFS-1500	Quantity
Enclosure of Box	440×400×180mm	1
DC SPD	EKU5-T2-40PV-3M1500 (40kA, 3P, 1500VDC)	1
DC Isolator	EKD6-DB32-4S (4P, 32A)	1
DC Fuse with Link	EKF1-15PVH-10L-1P (Max 6A 1500VDC)	4
PG connector	PG9 (4-9mm ²)	8
	PG21 (13-18mm ²)	2
MC4 connector	PV-EK04 (6mm ²)	5
	PV-EK05 (6mm ²)	5
Ground connector	PG9 (4-9mm ²)	1



6 String Input 1 String Output DC 1500V

DC Isolator Switch Box

Model	EKDBT-PV6/1-IFS-1500	Quantity
Enclosure of Box	500×400×180mm	1
DC SPD	EKU5-T2-40PV-3M1500 (40kA, 3P, 1500VDC)	1
DC Isolator	EKD6-DB32-4S (4P, 32A)	1
DC Fuse with Link	EKF1-15PVH-10L-1P (Max 4A 1500VDC)	6
PG connector	PG9 (4-9mm ²)	12
	PG21 (13-18mm ²)	2
MC4 connector	PV-EK04 (6mm ²)	7
	PV-EK05 (6mm ²)	7
Ground connector	PG9 (4-9mm ²)	1

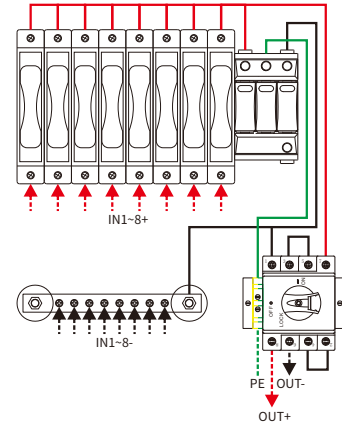


Solar DC Combiner Box

8 String Input 1 String Output DC 1500V

DC Isolator Switch Box

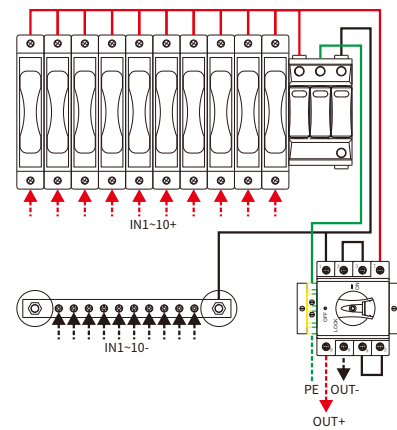
Model	EKDBT-PV8/1-IFS-1500	Quantity
Enclosure of Box	600×460×180mm	1
DC SPD	EKU5-T2-40PV-3M1500 (40kA, 3P, 1500VDC)	1
DC Isolator	EKD6-DB32-4S (4P, 32A)	1
DC Fuse with Link	EKF1-15PVH-10L-1P (Max 3A 1500VDC)	8
PG connector	PG9 (4-9mm ²)	16
	PG21 (13-18mm ²)	2
MC4 connector	PV-EK04 (6mm ²)	9
	PV-EK05 (6mm ²)	9
Ground connector	PG9 (4-9mm ²)	1



10 String Input 1 String Output DC 1500V

DC Isolator Switch Box

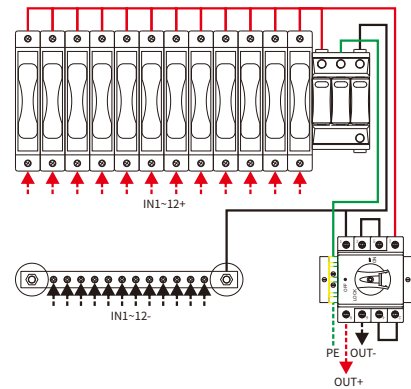
Model	EKDBT-PV10/1-IFS-1500	Quantity
Enclosure of Box	600×460×180mm	1
DC SPD	EKU5-T2-40PV-3M1500 (40kA, 3P, 1500VDC)	1
DC Isolator	EKD6-DB32-4S (4P, 32A)	1
DC Fuse with Link	EKF1-15PVH-10L-1P (Max 8A 1500VDC)	10
PG connector	PG9 (4-9mm ²)	20
	PG21 (13-18mm ²)	2
MC4 connector	PV-EK04 (6mm ²)	11
	PV-EK05 (6mm ²)	11
Ground connector	PG9 (4-9mm ²)	1



12 String Input 1 String Output DC 1500V

DC Isolator Switch Box

Model	EKDBT-PV12/1-IFS-1500	Quantity
Enclosure of Box	600×460×180mm	1
DC SPD	EKU5-T2-40PV-3M1500 (40kA, 3P, 1500VDC)	1
DC Isolator	EKD6-DB32-4S (4P, 32A)	1
DC Fuse with Link	EKF1-15PVH-10L-1P (Max 2A 1500VDC)	12
PG connector	PG9 (4-9mm ²)	24
	PG21 (13-18mm ²)	2
MC4 connector	PV-EK04 (6mm ²)	13
	PV-EK05 (6mm ²)	13
Ground connector	PG9 (4-9mm ²)	1

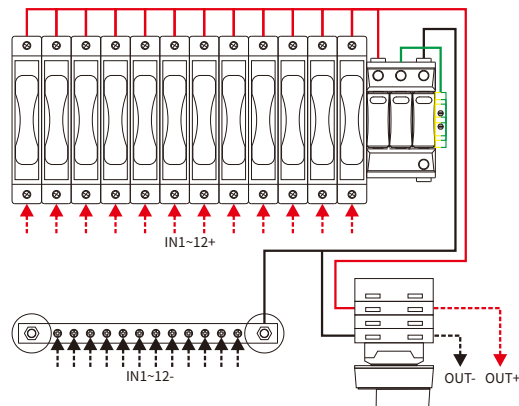


Solar DC Combiner Box

12 String Input 1 String Output DC 1500V

DC Isolator Switch Box

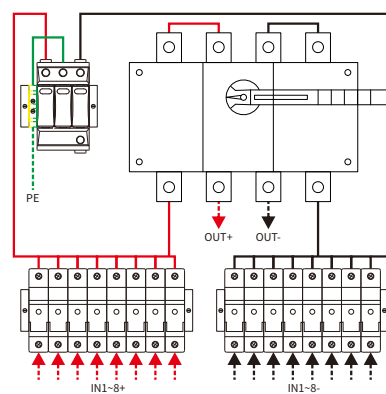
Model	EKDBT-PV12/1-IFSM-1500	Quantity
Enclosure of Box	400×350×160mm	1
DC SPD	EKU5-T2-40PV-3M1500 (40kA, 3P, 1500VDC)	1
DC Isolator	EDS64S/50/ZY	1
DC Fuse with Link	EKF1-15PVH-10L-1P (Max 2A 1000VDC)	12
MC4 connector	PV-EK04 (6mm ²)	13
	PV-EK05 (6mm ²)	13
Ground connector	PG9 (4-9mm ²)	1



8 String Input 1 String Output DC 1000V

DC Disconnect Switch Box

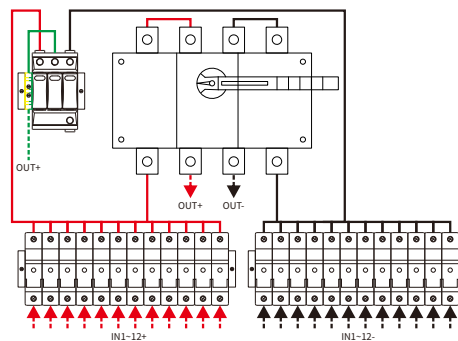
Model	EKDBT-PVZ8/1-IFS-1000	Quantity
Enclosure of Box	600×460×180mm	1
DC SPD	EKU5-T2-40PV-3M1000 (40kA, 3P, 1000VDC)	1
DC Disconnect Switch	EKD19-250/4	1
DC Fuse with Link	EKF1-10XPVH-10-1P (Max 32A 1500VDC)	16
PG connector	PG9 (4-9mm ²)	16
	PG36 (22-32mm ²)	2
Ground connector	PG9 (4-9mm ²)	1



12 String Input 1 String Output DC 1000V

DC Disconnect Switch Box

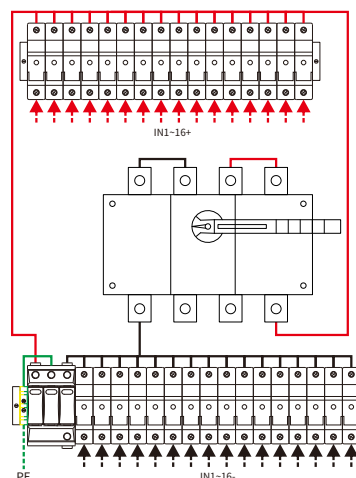
Model	EKDBT-PVZ12/1-IFS-1000	Quantity
Enclosure of Box	600×460×180mm	1
DC SPD	EKU5-T2-40PV-3M1000 (40kA, 3P, 1000VDC)	1
DC Disconnect Switch	EKD19-250/4	1
DC Fuse with Link	EKF1-10XPVH-10-1P (Max 20A 1500VDC)	24
PG connector	PG9 (4-9mm ²)	24
	PG36 (22-32mm ²)	2
Ground connector	PG9 (4-9mm ²)	1



16 String Input 1 String Output DC 1000V

DC Disconnect Switch Box

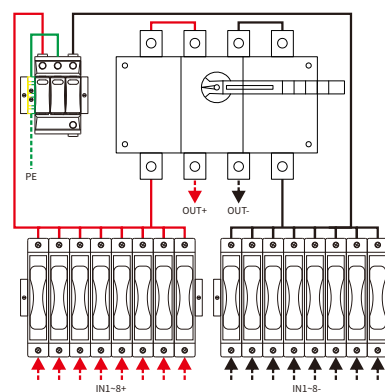
Model	EKDBT-PVZ16/1-IFS-1000	Quantity
Enclosure of Box	750×560×180mm	1
DC SPD	EKU5-T2-40PV-3M1000 (40kA, 3P, 1000VDC)	1
DC Disconnect Switch	EKD19-250/4	1
DC Fuse with Link	EKF1-10XPVH-10-1P (Max 15A 1500VDC)	32
PG connector	PG9 (4-9mm ²)	32
	PG36 (22-32mm ²)	2
Ground connector	PG9 (4-9mm ²)	1



8 String Input 1 String Output DC 1000V

DC Disconnect Switch Box

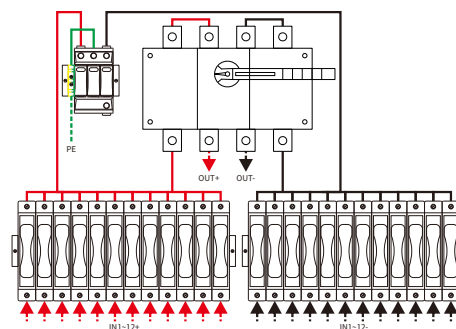
Model	EKDBT-PVZ8/1-IFS-1500	Quantity
Enclosure of Box	750×560×180mm	1
DC SPD	EKU5-T2-40PV-3M1500 (40kA, 3P, 1500VDC)	1
DC Disconnect Switch	EKD19-250/4	1
DC Fuse with Link	EKF1-15PVH-10L-1P (Max 32A 1500VDC)	16
PG connector	PG9 (4-9mm ²)	16
	PG36 (22-32mm ²)	2
Ground connector	PG9 (4-9mm ²)	1



12 String Input 1 String Output DC 1000V

DC Disconnect Switch Box

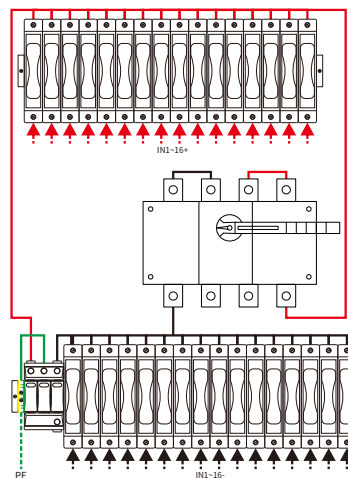
Model	EKDBT-PVZ12/1-IFS-1500	Quantity
Enclosure of Box	750×560×180mm	1
DC SPD	EKU5-T2-40PV-3M1500 (40kA, 3P, 1500VDC)	1
DC Disconnect Switch	EKD19-250/4	1
DC Fuse with Link	EKF1-15PVH-10L-1P (Max 20A 1500VDC)	24
PG connector	PG9 (4-9mm ²)	24
	PG36 (22-32mm ²)	2
Ground connector	PG9 (4-9mm ²)	1



16 String Input 1 String Output DC 1000V

DC Disconnect Switch Box

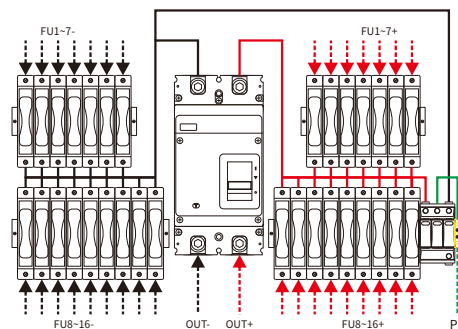
Model	EKDBT-PVZ16/1-IFS-1500	Quantity
Enclosure of Box	750×560×180mm	1
DC SPD	EKU5-T2-40PV-3M1500 (40kA, 3P, 1500VDC)	1
DC Disconnect Switch	EKD19-250/4	1
DC Fuse with Link	EKF1-15PVH-10L-1P (Max 12A 1500VDC)	32
PG connector	PG9 (4-9mm ²)	32
	PG36 (22-32mm ²)	2
Ground connector	PG9 (4-9mm ²)	1



16 String Input 1 String Output DC 1500V

DC MCCB Breaker Box

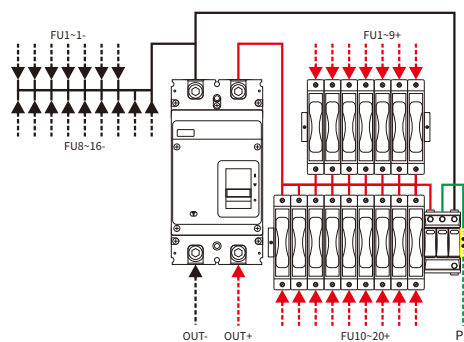
Model	EKDBT-PVZ16/1-FBS-1500	Quantity
Enclosure of Box	750×560×180mm	1
DC SPD	EKU5-T2-40PV-3M1500 (40kA, 3P, 1500VDC)	1
DC MCCB	EKM6DC-400H-2-400 (2P, 400A, 1500VDC)	1
DC Fuse with Link	EKF1-15PVH-10L-1P (Max 25A 1500VDC)	32
PG connector	PG9 (4-9mm ²)	32
	PG36 (22-32mm ²)	2
Ground connector	PG9 (4-9mm ²)	1



16 String Input 1 String Output DC 1500V (Economy Type)

DC MCCB Breaker Box

Model	EKDBT-PVZ16/1-FBS-1500	Quantity
Enclosure of Box	750×560×180mm	1
DC SPD	EKU5-T2-40PV-3M1500 (40kA, 3P, 1500VDC)	1
DC MCCB	EKM6DC-400H-2-400 (2P, 400A, 1500VDC)	1
DC Fuse with Link	EKF1-15PVH-10L-1P (Max 25A 1500VDC)	16
PG connector	PG9 (4-9mm ²)	32
	PG36 (22-32mm ²)	2
Ground connector	PG9 (4-9mm ²)	1

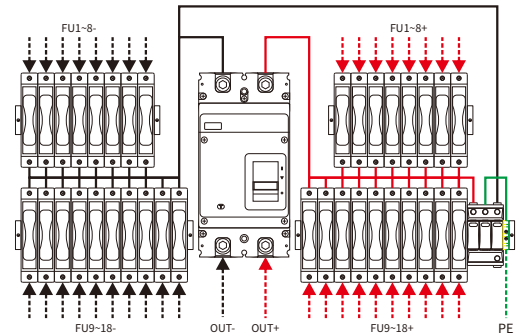


Solar DC Combiner Box

18 String Input 1 String Output DC 1500V

DC MCCB Breaker Box

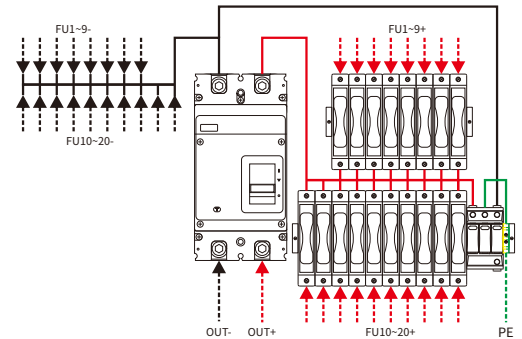
Model	EKDBT-PVZ18/1-FBS-1500	Quantity
Enclosure of Box	750×560×180mm	1
DC SPD	EKU5-T2-40PV-3M1500 (40kA, 3P, 1500VDC)	1
DC MCCB	EKM6DC-400H-2-400 (2P, 400A, 1500VDC)	1
DC Fuse with Link	EKF1-15PVH-10L-1P (Max 20A 1500VDC)	36
PG connector	PG9 (4-9mm ²)	36
	PG36 (22-32mm ²)	2
Ground connector	PG9 (4-9mm ²)	1



18 String Input 1 String Output DC 1500V (Economy Type)

DC MCCB Breaker Box

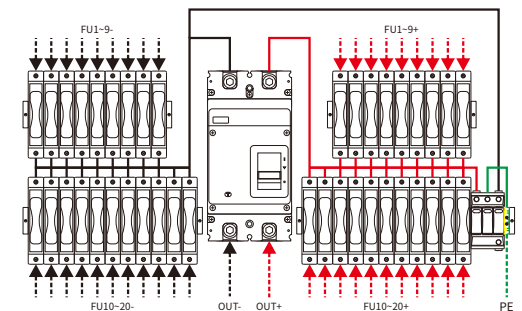
Model	EKDBT-PVZ18/1-FBS-1500	Quantity
Enclosure of Box	750×560×180mm	1
DC SPD	EKU5-T2-40PV-3M1500 (40kA, 3P, 1500VDC)	1
DC MCCB	EKM6DC-400H-2-400 (2P, 400A, 1500VDC)	1
DC Fuse with Link	EKF1-15PVH-10L-1P (Max 20A 1500VDC)	18
PG connector	PG9 (4-9mm ²)	36
	PG36 (22-32mm ²)	2
Ground connector	PG9 (4-9mm ²)	1



20 String Input 1 String Output DC 1500V

DC MCCB Breaker Box

Model	EKDBT-PVZ20/1-FBS-1500	Quantity
Enclosure of Box	800×560×180mm	1
DC SPD	EKU5-T2-40PV-3M1500 (40kA, 3P, 1500VDC)	1
DC MCCB	EKM6DC-400H-2-400 (2P, 400A, 1500VDC)	1
DC Fuse with Link	EKF1-15PVH-10L-1P (Max 20A 1500VDC)	40
PG connector	PG9 (4-9mm ²)	40
	PG36 (22-32mm ²)	2
Ground connector	PG9 (4-9mm ²)	1



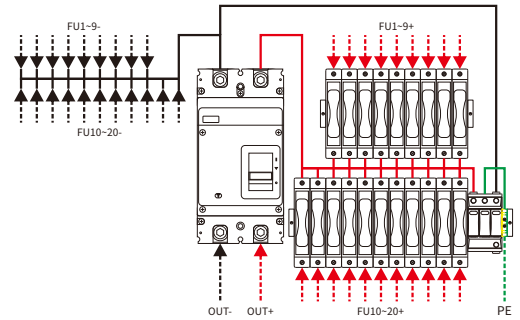
EKDBT-PV(Z)

Solar DC Combiner Box

20 String Input 1 String Output DC 1500V (Economy Type)

DC MCCB Breaker Box

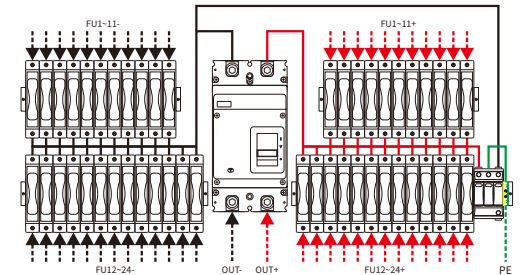
Model	EKDBT-PVZ20/1-FBS-1500	Quantity
Enclosure of Box	800×560×180mm	1
DC SPD	EKU5-T2-40PV-3M1500 (40kA, 3P, 1500VDC)	1
DC MCCB	EKM6DC-400H-2-400 (2P, 400A, 1500VDC)	1
DC Fuse with Link	EKF1-15PVH-10L-1P (Max 25A 1500VDC)	20
PG connector	PG9 (4-9mm ²)	40
	PG36 (22-32mm ²)	2
Ground connector	PG9 (4-9mm ²)	1



24 String Input 1 String Output DC 1500V

DC MCCB Breaker Box

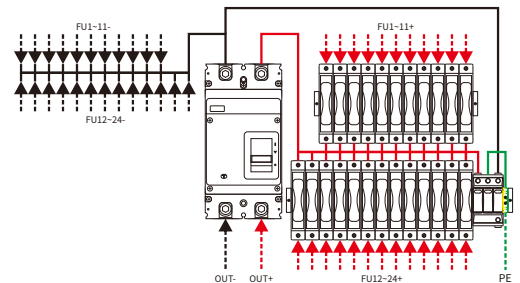
Model	EKDBT-PVZ20/1-FBS-1500	Quantity
Enclosure of Box	860×560×180mm	1
DC SPD	EKU5-T2-40PV-3M1500 (40kA, 3P, 1500VDC)	1
DC MCCB	EKM6DC-400H-2-400 (2P, 400A, 1500VDC)	1
DC Fuse with Link	EKF1-15PVH-10L-1P (Max 20A 1500VDC)	48
PG connector	PG9 (4-9mm ²)	48
	PG36 (22-32mm ²)	2
Ground connector	PG9 (4-9mm ²)	1




24 String Input 1 String Output DC 1500V (Economy Type)

DC MCCB Breaker Box

Model	EKDBT-PVZ20/1-FBS-1500	Quantity
Enclosure of Box	860×560×180mm	1
DC SPD	EKU5-T2-40PV-3M1500 (40kA, 3P, 1500VDC)	1
DC MCCB	EKM6DC-400H-2-400 (2P, 400A, 1500VDC)	1
DC Fuse with Link	EKF1-15PVH-10L-1P (Max 20A 1500VDC)	24
PG connector	PG9 (4-9mm ²)	48
	PG36 (22-32mm ²)	2
Ground connector	PG9 (4-9mm ²)	1



 The product data referred to in the company shall be subject to material object. Subject to change without notice.
The company has the final right to interpret.

 Green paper printing.

Tel-

Head office: 0086-577-62718777

Sales office: 0086-571-87837035

Email-

Head office: info@etek-china.com

Sales office: sales@etek-electric.com

Wenzhou ETEK (Head office):

No.288 Wei 17th Road, Economic Development Zone,
Yueqing City, Zhejiang China.

Hangzhou ETEK (Sales office):

No.411-412, Building 16, Singapore-Hangzhou Science &
Technology Park, Baiyang Street, Qiantang New Zone,
Hangzhou City, Zhejiang China.

ETEK[®]
ETEK ELECTRIC



ZHEJIANG ETEK ELECTRICAL TECHNOLOGY CO.,LTD.